



# FD8182-T/F2

## Fixed Dome Network Camera



5MP · 30M IR · Smart IR · P-iris · Remote Focus ·  
Smart Stream · PIR · Video Rotation

VIVOTEK's FD8182 is a series of economic professional indoor fixed dome network cameras in VIVOTEK's 5MP Lite series. Designed to provide higher resolution and sharper image with more details, the FD8182 series offer up to 15 fps at 5-Megapixel or 30 fps at 1080p resolution. With powerful 3D Noise Reduction technology and Smart Stream technology the FD8182 series can also optimize resolution for a desired object or area to maximize efficiency of bandwidth usage.

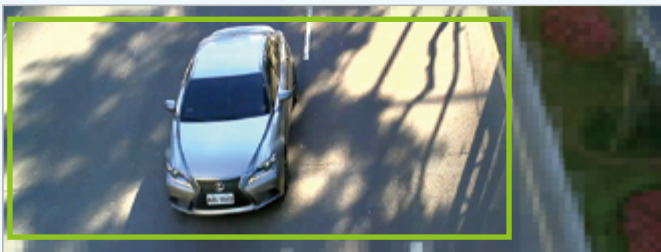
Increasing its flexibility, VIVOTEK's FD8182 series provides options for both fixed focus used for simple operation without additional power, and remote focus with built-in stepping motors and P-iris to provide precise adjustment remotely.

To meet the demands of indoor applications, VIVOTEK's FD8182 series is also equipped with a PIR sensor to help detect unexpected events and provide the the appropriate response in real time.

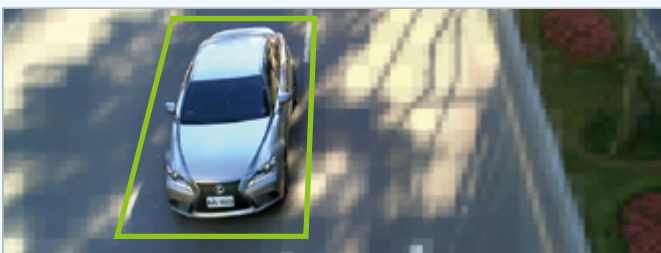
With the highly flexible VADP (VIVOTEK Application Development Platform), users can extend the features of this series by adding third-party applications for the FD8182-F2 and the FD8182-T. Thus, the FD8182 series is not only equipped with multiple focusing methods, but is also highly flexible and able to be expanded to meet the requirements of a wide variety of indoor applications.

### Key Features

- 5-Megapixel CMOS Sensor
- 15 fps @ 2560x1920
- 3 ~ 9 mm, Remote Focus, P-iris Lens (FD8182-T)
- Removable IR-cut Filter for Day & Night Function
- Built-in IR Illuminators, Effective up to 30 Meters
- Real-time H.264, and MJPEG Compression
- Two-way Audio
- WDR Enhanced for Unparalleled Visibility in Bright and Dark Environments
- Smart Stream to Optimize Bandwidth Efficiency
- PIR
- 3D Noise Reduction
- Smart IR Technology to Avoid Overexposure
- Video Rotation for Corridor View
- Support Installation with AM-712 Indoor Conduit Box
- VIVOTEK VCA (Video Content Analysis) Support



Smart Stream - Manual Mode



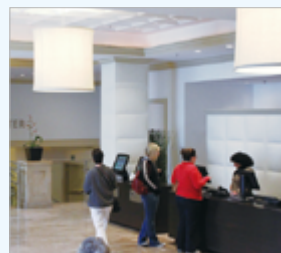
Smart Stream - Auto Mode



Store



Train Station



Hotel



Airport

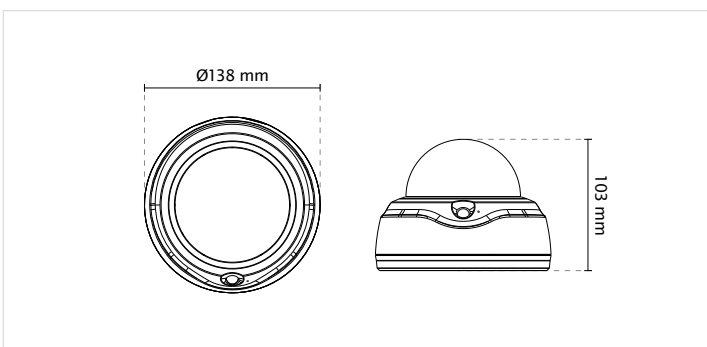
## Technical Specifications

Model	FD8182-T: Vari-focal, P-iris, Remote Focus FD8182-F2: Fixed-focal
<b>System Information</b>	
CPU	Multimedia SoC (System-on-Chip)
Flash	1Gb
RAM	4Gb
<b>Camera Features</b>	
Image Sensor	1/3.2" Progressive CMOS
Maximum Resolution	2560x1920 (5MP)
Lens Type	FD8182-T: Vari-focal FD8182-F2: Fixed-focal
Focal Length	FD8182-T: f = 3 ~ 9 mm FD8182-F2: f = 2.8 mm
Aperture	FD8182-T: F1.2 ~ F16 FD8182-F2: F1.8
Auto-iris	P-iris (FD8182-T)
Field of View	FD8182-T: 35° ~ 78° (Horizontal) 27° ~ 54° (Vertical) 44° ~ 101° (Diagonal) FD8182-F2: 90° (Horizontal) 67° (Vertical) 118° (Diagonal)
Shutter Time	1/5 sec. to 1/32,000 sec.
WDR Technology	WDR Enhanced
Day/Night	Removable IR-cut filter for day & night function
Minimum Illumination	FD8182-T: 0.04 Lux @ F1.2 (Color) 0.001 Lux @ F1.2 (B/W) FD8182-F2: 0.39 Lux @ F1.8 (Color) 0.001 Lux @ F1.8 (B/W)
Pan/tilt/zoom Functionalities	ePTZ: 48x digital zoom (4x on IE plug-in, 12x built in)
IR Illuminators	Built-in IR illuminators, effective up to 30 meters with Smart IR IR LED*8
On-board Storage	Slot type: Micro SD/SDHC/SDXC card slot Seamless Recording
<b>Video</b>	
Compression	H.264 & MJPEG
Maximum Frame Rate	30 fps @ 1920x1080 In both compression modes
Maximum Streams	4 simultaneous streams
S/N Ratio	67 dB
Dynamic Range	70 dB
Video Streaming	Adjustable resolution, quality and bitrate; Smart Stream
Image Settings	Adjustable image size, quality and bit rate, Time stamp, text overlay, flip & mirror, Configurable brightness, contrast, saturation, sharpness, white balance, exposure control, gain, backlight compensation, privacy masks, Scheduled profile settings, 3D noise reduction, video rotation, defog
<b>Audio</b>	
Audio Capability	Two-way Audio (full duplex)
Compression	G.711, G.726
Interface	Internal microphone input External line output
<b>Network</b>	
Users	Live viewing for up to 10 clients
Protocols	IPv4, IPv6, TCP/IP, HTTP, HTTPS, UPnP, RTSP/RTP/RTCP, IGMP, SMTP, FTP, DHCP, NTP, DNS, DDNS, PPPoE, CoS, QoS, SNMP, 802.1X, UDP, ICMP, ARP, SSL, TLS
Interface	10 Base-T/100 Base-TX Ethernet (RJ-45) *It is highly recommended to use standard CAT5e & CAT6 cables which are compliant with the 3P/ETL standard.


\* Available per project request

ONVIF	Supported, specification available at <a href="http://www.onvif.org">www.onvif.org</a>
<b>Intelligent Video</b>	
Video Motion Detection	Five-window video motion detection
VCA*	Line crossing detection, field detection, loitering detection
<b>Alarm and Event</b>	
Alarm Triggers	Video motion detection, manual trigger, digital input, periodical trigger, system boot, recording notification, camera tampering detection, audio detection
Alarm Events	Event notification using digital output, HTTP, SMTP, FTP and NAS server, SD Card File upload via HTTP, SMTP, FTP, NAS server and SD card
<b>General</b>	
Smart Focus System	FD8182-T: Remote Focus
Connectors	RJ-45 cable connector for Network/PoE connection Audio input Audio output DC 12V power input Digital input*1 Digital output*1
LED Indicator	System power and status indicator
Power Input	DC 12V IEEE 802.3at PoE
Power Consumption	FD8182-T: Max. 8 W (DC 12V) Max. 9.5 W (PoE) FD8182-F2: Max. 7.5 W (DC 12V) Max. 9 W (PoE)
Dimensions	Ø 138 x 103 mm
Weight	541 g
Safety Certifications	FD8182-T: CE, LVD, FCC Class B, VCCI, C-Tick, UL FD8182-F2: CE, LVD, FCC Class B, VCCI, C-Tick
Operating Temperature	Starting Temperature: -10°C ~ 50°C (14°F ~ 122°F) Working Temperature: -20°C ~ 50°C (-4°F ~ 122°F)
Warranty	36 months (FD8182-T) 24 months (FD8182-F2)
<b>System Requirements</b>	
Operating System	Microsoft Windows 7/8/Vista/XP/2000
Web Browser	Mozilla Firefox 7~10 (streaming only) Internet Explorer 7/8/9/10/11
Other Players	VLC: 1.1.11 or above Quicktime: 7 or above
<b>Included Accessories</b>	
CD	User's manual, quick installation guide, Installation Wizard 2, ST7501 32-channel recording software
Others	Quick installation guide, warranty card, alignment sticker/desiccant bag, screw pack

## Dimensions



## Compatible Accessories

<b>Mounting Kits</b>  <b>AM-215 (v02)</b> L Shape Bracket		 <b>AM-51C (v01)</b> Adapter Ring		 <b>AM-527 (v01)</b> Mounting Adapter		 <b>AM-712</b> Conduit Box		 <b>AP-FXC-0201</b> PoE Extender with Conduit Box	
--	--	---	--	---	--	---	--	---	--

All specifications are subject to change without notice. Copyright © VIVOTEK INC. All rights reserved.

Ver. 5