

NXW

LIQUID-COOLED CAMERA HOUSING



IP66

IP67



NXW + NXFIGRU + NXWBS

DESCRIPTION

The solid construction of this housing makes it suitable for heavy-duty applications, such as the surveillance of ovens, foundries and other high-temperature environments.

The NXW housing, entirely made of polished stainless steel, consists of a body with double chamber for the circulation of coolant or cooling air, closed by two very thick flanges. The rear flange enables cable passage using two cable glands PG13.5. The front flange can be equipped with tempered glass or quartz glass for high temperatures.

MAIN FEATURES

Made of AISI 316L electropolished stainless steel

Steel cylindrical chamber for internal circulation of cooling liquid linked to an external circuit

IP66/IP67

Supplied air barrier

2 PG13.5 cable glands in nickel-plated brass for external connections

Available accessories: camera power supply, air filtering group for glass cleaning, tempered glass (max. 260°C (500°F)), quartz glass (max. 400°C (752°F)), IR-proof glass (max. 260°C (500°F))

TECHNICAL DATA

MECHANICAL

Housing manufactured in polished stainless steel (austenitic stainless alloy steel resistant to corrosion and heat):

- AISI 316L
- UNI 6900-71: X 2 Cr Ni Mo 17 12 2
- DIN 17006: X 2 Cr Ni Mo 17 13 2
- N° werkstoff: 1.4404
- AFNOR: Z2 CND 17-12
- BSI: 316S11

The screws utilised are in austenitic alloy stainless steel, corrosion and heat resistant according to the following standards:

- ISO: 7380
- AISI: 316
- ISO quality: A4

External body polishing

Dimensions (ØxL): 154x375mm (6x14.8in)

Internal usable area (WxH): 78x78mm (3.1x 3.1in)

Internal usable length: 345mm (13.6in)

Internal usable length (with power supply): 280mm (11in)

2x1/2" GAS connectors for liquid input / output

The flange with air barrier is equipped with a 1/4" Gas thread joint and a reduction from 1/2" Gas to 1/4" Gas.

Gaskets: O-ring

Flange thickness (back) : 9mm (0.35in)

Cable glands: 2xPG13.5 (nickel-plated brass)

Cooling liquid (application example with incoming water at 20°C (68°F) temperature):

- ambient temperature 200°C (392°F), water capacity 2l/min, temperature inside housing 32°C (89.6°F)
- ambient temperature 300°C (572°F), water capacity 2.2l/min, temperature inside housing 41°C (105.8°F)
- ambient temperature 400°C (752°F), water capacity 6.5l/min, temperature inside housing 44°C (111.2°F)

Cooling Air (Application example with incoming air at 17°C(62°F) and an environmental temperature at 80°C(176°F)):

- with pressure 1bar, air capacity 10m³/h, temperature inside housing 45°C (113°F)
- with pressure 2bar, air capacity 15m³/h, temperature inside housing 35°C (95°F)

Air barrier (Flange with 8 holes)

- Male input 1/2" GAS
- System pressure: 4bar max
- Recommended minimum pressure: 2bar

Air barrier (Flange with 32 holes)

- Male input 1/2" GAS
- System pressure: 6bar max
- Recommended minimum pressure: 2bar

Unit weight: 10.2kg (22lb)

HOUSING'S WINDOW

Usable diameter: 95mm (3.7in)

Tempered extra clear glass

- Thick: 6mm (0.24in)
- Operating temperature: 260°C (500°F) max, thermal gradient 108°C (226.4°F) max

Quartz glass

- Thick: 6mm (0.24in)
- Operating temperature: 400°C (752°F) max, thermal gradient 220°C (428°F) max

IR-proof glass

- Thick: 6.6mm (0.3in)
- Operating temperature: 260°C (500°F) max, thermal gradient 108°C (226.4°F) max

ELECTRICAL

Camera power supply

IN 230Vac, 50/60Hz - OUT 12Vdc, 400mA

IN 230Vac, 50/60Hz - OUT 24Vac, 400mA

ENVIRONMENT

For indoors and outdoors installation

Maximum working temperature (with water cooling):

- with tempered glass 260°C (500°F) max
- with quartz glass 400°C (752°F) max
- with IR-proof glass 260°C (500°F) max

Relative humidity: from 5% up to 95%

CERTIFICATIONS

Electrical safety (CE): EN60065, EN62368-1

Electromagnetic compatibility (CE): EN50130-4, EN61000-6-3

IP protection degree: EN60529, IP66/IP67

EAC certification

ACCESSORIES

NXCTPG13SS	Kit of 2xPG 13.5 stainless steel cable glands IP68 for stainless steel housings.
ONXWTG	Tempered glass
ONXWQG	Quartz glass
ONXAB2	Front flange with air barrier and tempered glass
ONXAB1025B	Air barrier with IR-proof glass included for NXW housings
NXFIGRU	Filtering group for compressed air cleaning
OHEPS24	Camera power supply IN 230Vac, 50/60Hz - OUT 12Vdc, 400mA
OHEPS25	Camera power supply IN 230Vac, 50/60Hz - OUT 24Vac, 400mA

BRACKETS AND ADAPTORS

NXWBS1	AISI 316L stainless steel wall bracket with joint
NXCOL	AISI 316L stainless steel pole adapter module
NXCW	AISI 316L stainless steel corner adapter module
NXWTU	Wall adaptor module in stainless steel AISI 316L
MHXWFWCA	AISI 316L stainless steel ball joint
MHXWBS	AISI 316L stainless steel wall bracket

PACKAGE

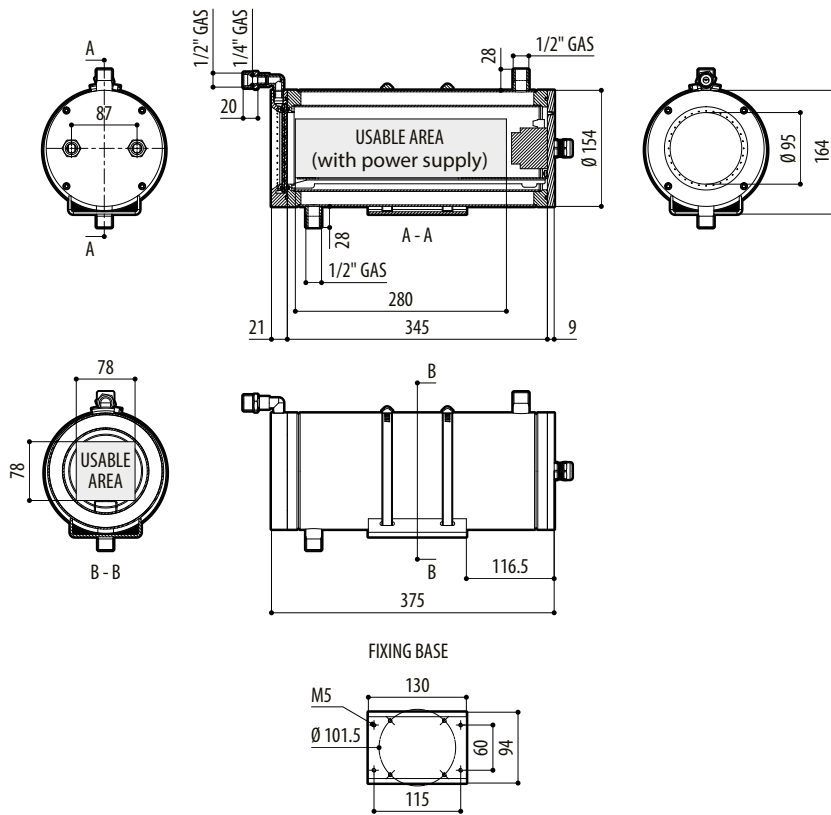
Model Number	Weight	Dimensions (WxHxL)	Master carton
NXW0K1000	10.8kg (23.8lb)	24.3x24.2x49.5cm (9.6x9.5x19.5in)	-

AVAILABLE MODELS

Model Number	Description
NXWOK1000	Liquid-cooled housing with air barrier (glass not included)
NXWOK1025	Liquid-cooled housing with air barrier and IR-proof glass

TECHNICAL DRAWINGS

The indicated measurements are expressed in millimetres.



NXW