

DS-2XE6146F-HS(B)

4 MP Explosion-Proof Network Bullet Camera



- Explosion-proof design: the camera has passed international ATEX & IECEx certifications, and can be used in gas and dust hazardous scenarios
- 316L stainless steel enclosure and anti-corrosion spray treatment, protecting the camera from damage caused by sparks or corrosive materials
- IP68 water resistant, preventing water ingress for outdoor use
- H.265+/H.265/H.264+/H.264 encoding: efficient compression technology saves storage space and reduces bandwidth requirements
- A built-in heater allows for start-up in ultra-low temperatures to -40 °C
- High resolution 4 MP, capturing clear images



▪ Specification

Camera	
Image Sensor	1/2.7" Progressive Scan CMOS
Min. Illumination	Color 0.01lux @(F1.2,AGC ON),0.028Lux @ (F2.0, AGC ON) B/W 0.0036lux @(F1.2,AGC ON); 0.01Lux @ (F2.0, AGC ON)
Shutter Speed	1 s to 1/100,000 s
Slow Shutter	Support
Angle Adjustment	2mm: pan: 0° to 340°, tilt: 0° to 60° 2.8 mm, 4 mm, 6 mm: 0° to 340°, tilt: 0° to 75°
DNR	3D DNR
WDR	Digital WDR
Day & Night	Electronic
Lens Mount	M12
Lens	
Aperture	2.0 mm@F2.2, 2.8 mm@F2.0, 4 mm@F2.0, 6 mm@F2.0
FOV	2 mm: horizontal FOV 122°, vertical FOV 71°, diagonal FOV 140° 2.8 mm: horizontal FOV 100.8°, vertical FOV 55°, diagonal FOV 117.3° 4 mm: horizontal FOV 77°, vertical FOV 42.5°, diagonal FOV 89.3° 6 mm: horizontal FOV 48.6°, vertical FOV 27.5°, diagonal FOV 55.5°
Focal length	2.0 mm, 2.8 mm, 4 mm, 6 mm, optional
Audio	
Audio Compression	G.711/G.722.1/G.726/MP2L2/PCM
Audio I/O	Yes
Image	
Image Enhancement	BLC, 3D DNR, HLC, defog, EIS
Target Cropping	Yes
Day/Night Switch	Day/Night/Auto/Schedule/Triggered by Alarm In
Picture Overlay	Logo picture can be overlaid on video with 128 × 128 24bit bmp format
Image Settings	Rotate mode, saturation, brightness, contrast, sharpness, AGC, and white balance are adjustable by client software or web browser
Sub-Stream	50Hz: 25fps (704 × 576, 640 × 480, 352 × 288, 320 × 240) 60Hz: 24fps (704 × 480, 640 × 480, 352 × 240, 320 × 240)
Max. Resolution	2560 × 1440
Main Stream	50Hz: 25fps (2560 × 1440, 1920 × 1080, 1280 × 960, 1280 × 720) 60Hz: 24fps (2560 × 1440, 1920 × 1080, 1280 × 960, 1280 × 720)
Third Stream	50Hz: 25fps (1920 × 1080, 1280 × 960, 1280 × 720, 704 × 576, 640 × 480, 352 × 288, 320 × 240) 60Hz: 24fps (1920 × 1080, 1280 × 960, 1280 × 720, 704 × 480, 640 × 480, 352 × 240, 320 × 240)
Network	
Protocols	TCP/IP, ICMP, HTTP, HTTPS, FTP, DHCP, DNS, DDNS, RTP, RTSP, RTCP, PPPoE, NTP, UPnP, SMTP, SNMP, IGMP, 802.1X, QoS, IPv6, UDP, Bonjour
API	Open Network Video Interface, ISAPI, SDK, Ehome
Simultaneous Live View	Up to 20 channels

User/Host	Up to 32 users 3 levels: Administrator, Operator and User
Client	iVMS-4200, iVMS-4500, iVMS-5200, Hik-Connect
Web Browser	IE8+, Chrome41.0-44, Firefox30.0-51, Safari8.0+
Interface	
Communication Interface	1 RJ45 10M/100M/1000M self-adaptive Ethernet port, 1 RS-485 interface
Alarm	1 alarm input, 1 alarm output (supports max. 24 VDC, 1 A or 110 VAC, 500mA)
Video Output	1Vp-p composite output (75 Ω/BNC)
On-board Storage	Built-in microSD/SDHC/SDXC slot, up to 128 GB <i>*You are recommended to purchase memory card together with the product if needed. After ordering, the memory card will be installed to product during manufacturing.</i>
SVC	H.264 and H.265 support
Compression Standard	
H.264+	Main stream support
H.265+	Main stream support
H.264 Type	Baseline Profile/Main Profile/High Profile
Video Compression	Main stream: H.265/H.264 Sub stream: H.265/H.264/MJPEG Third stream: H.265/H.264
H.265 Type	Main Profile
Audio Compression	G.711/G.722.1/G.726/MP2L2/PCM
Video Bit Rate	32 Kbps to 16 Mbps
Audio Bit Rate	64Kbps(G.711) / 16Kbps(G.722.1) / 16Kbps(G.726) / 32-192Kbps(MP2L2)
Smart Feature-set	
Face Detection	Support
Exception Detection	Audio exception detection
Behavior Analysis	Line crossing detection, intrusion detection, region entrance detection, region exit detection, unattended baggage detection, object removal detection
Region of Interest	Support 4 fixed regions for each stream, and dynamic face tracking
General	
Power Supply	12 VDC ±20%, PoE (802.3af, class 3) Terminal block for DC input
Weight	Camera: Approx. 2.5 kg (5.51 lb.) With package: approx. 3.46 kg (7.63 lb.)
Power Consumption	12 VDC, 0.8 A, max. 10 W PoE (802.3af, 36V to 57V), 0.3 A to 0.2 A, max. 12.5 W
Heater	Yes
Approval	
EMC	FCC: FCC-SDoC(ANSI C63.4,FCC Part15 sub B) CE: CE-EMC(EN 50130-4:2011+A1:2014,EN 55032:2015,EN 61000-3-2:2014,EN 61000-3-3:2013) RCM: AS/NZS 60950.1:2003 + Am1, Am2 and Am3,AS/NZS CISPR 32:2015 IC: IC-VoC(ICES-003 Issue 7:2020) KC: KN 301489-1,KN 301489-17,RRA NOTICE 2017-14(2017.12.05),RRA NOTICE 2017-19(2017.12.28)

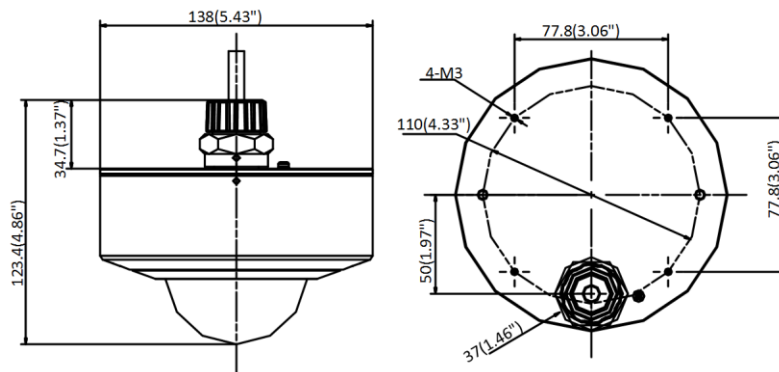
Safety	UL: UL 60950-1:2014,CAN/CSA C22.2 No. 60950-1-07:2014 CB: IEC 60950-1 BIS: IS 13252(Part 1)2010+A1:2013+A2:2015 LOA: SANS IEC60950-1
Environment	CE: CE-RoHS(RoHS Directive 2011/65/EU+2015/863)
Explosion-Proof Protection	ATEX: II 2G Ex db IIC T6 Gb/ II 2D Ex tb IIIC T80°C Db IP68 IECEx: Ex db IIC T6 Gb /Ex tb IIIC T80°C Db IP68 For explosive gas atmospheres, the maximum surface temperature is 85°C; For flammable dust atmospheres, the maximum surface temperature is 80°C; IIC: for explosive gas atmospheres other than mines susceptible to firedamp; For explosive gas mixture atmospheres: Zone 1, Zone 2, Zone 21, Zone 22.

**You are recommended to purchase memory card together with the product if needed. After ordering, the memory card will be installed to product during manufacturing.*

▪ Available Model

DS-2XE6146F-HS (B)

▪ Dimension



▪ Accessory

▪ Optional

DS-2781ZJ-X/316 L(OS) Junction Box	DS-2701ZJ-AC(OS)) Ceiling Mount	DS-1696ZJ-X-AC(OS) OS) Pendant Mount	DS-1697ZJ-X-AC(OS) OS) Wall Mount



Distributed by



HIKVISION®

Headquarters

No.555 Qianmo Road, Binjiang District,
Hangzhou 310051, China
T +86-571-8807-5998
overseasbusiness@hikvision.com

Hikvision USA

T +1-909-895-0400
sales.usa@hikvision.com

Hikvision Australia

T +61-2-8599-4233
salesau@hikvision.com

Hikvision India

T +91-22-28469900
sales@pramahikvision.com

Hikvision Canada

T +1-866-200-6690
sales.canada@hikvision.com

Hikvision Thailand

T +662-275-9949
sales.thailand@hikvision.com

Hikvision Europe

T +31-23-5542770
sales.eu@hikvision.com

Hikvision Italy

T +39-0438-6902
info.it@hikvision.com

Hikvision Brazil

T +55 11 3318-0050
Latam.support@hikvision.com

Hikvision Turkey

T +90 (216)521 7070- 7074
sales.tr@hikvision.com

Hikvision Malaysia

T +601-7652-2413
sales.my@hikvision.com

Hikvision UK & Ireland

T +01628-902140
sales.uk@hikvision.com

Hikvision South Africa

Tel: +27 (10) 0351172
sale.africa@hikvision.com

Hikvision France

T +33(0)1-85-330-450
info.fr@hikvision.com

Hikvision Kazakhstan

T +7-727-9730667
nikia.panfilov@hikvision.ru

Hikvision Vietnam

T +84-974270888
sales.vt@hikvision.com

Hikvision UAE

T +971-4-4432090
salesme@hikvision.com

Hikvision Singapore

T +65-6684-4718
sg@hikvision.com

Hikvision Spain

T +34-91-737-16-55
info.es@hikvision.com

Hikvision Tashkent

T +99-87-1238-9438
uzb@hikvision.ru

Hikvision Hong Kong

T +852-2151-1761
info.hk@hikvision.com

Hikvision Russia

T +7-495-669-67-99
saleru@hikvision.com

Hikvision Korea

T +82-(0)31-731-8817
sales.korea@hikvision.com

Hikvision Poland

T +48-22-460-01-50
info.pl@hikvision.com

Hikvision Indonesia

T +62-21-2933759
Sales.Indonesia@hikvision.com

Hikvision Colombia

sales.colombia@hikvision.com