

DS-2CD6332FWD-I(V)(S) 3.0 MP Network Fisheye Camera



DS-2CD6332FWD-I(V)(S) is a fisheye network camera capable of providing a 360 degree panoramic image of its surveillance scene.

The progressive scan CMOS sensor provides high-resolution images of up to 2048 × 1536.

Up to 15 live view display modes, specifically designed for 3 mount types and 2 decoding modes, meet the major needs from customers of different preference.

IR range of 15 meters provides good visibility in low or even zero-light environment.

- 1/3" Progressive Scan CMOS
- Max. 2048 × 1536 @30fps
- Up to 15 live view display modes
- 120dB WDR
- Up to 15m IR range
- Built-in microphone and speaker
- 2 behavior analyses, 1 statistic
- With – V model: IK10 for camera housing, IP66



Function Description

Smart

- 2 behavior analyses, line crossing detection and intrusion detection
- 1 statistic, heat map
- Smart recording: Support edge recording and dual-VCA
- Smart encoding: Support low bit rate, low latency, ROI enhance encoding

Image

- Max. 2048 × 1536 @30fps
- Support live view image decoded by hardware and software
- Support up to 15 display modes in total
- Streaming smoothness setting for different requirements of image quality and fluency
- Support H.264+/H.264/MJPEG video compression, multi-level video quality configuration; support Baseline Profile/Main Profile/High Profile H.264 encoding complexity
- Multiple OSD color: Black & white self-adaptive; Custom
- 120dB WDR is supportable for backlight environment
- Support BLC

System

- Support ONVIF (profile S/profile G), ISAPI protocol
- Support dual streams, and Support 20 channels live view at the same time
- Lightning protection, surge protection, voltage transient protection, anti-static protection

Interface

- Support standard 128G microSD/SDHC/SDXC card storage
- Support 10M/100M Ethernet port. Support RS-485 (with – S model)
- Support Audio I/O, support stereo audio (with – S model)
- Support Alarm I/O (with – S model)

Security

- Support three-level user authentication management, user and password authorization, and IP address filtering
- Support security certificate as HTTPS; support creating certificate
- Basic and digest authentication is supportable in IE configuration
- Lock user IP after certain times failed login attempts

Specifications

| Camera | |
|--------------------------------|---|
| Image Sensor | 1/3" Progressive Scan CMOS |
| Min. Illumination | 0.1 Lux @ (F1.2, AGC ON), 0.28 Lux @ (F2.0, AGC ON), 0 Lux with IR |
| Shutter Speed | 1/3 s – 1/100,000 s |
| Slow Shutter | Support |
| Lens | 1.19 mm, F2.0; horizontal field of view: 180° (wall mount), 360°(ceiling mount), 360°(table mount) |
| Lens Mount | M12 |
| Day & Night | IR Cut Filter |
| Digital Noise Reduction | 3D DNR |
| WDR | 120dB |
| Compression Standard | |
| Video Compression | Main stream: H.264 Sub stream: H.264/MJPEG |
| H.264 Type | Baseline Profile/Main Profile/High Profile |
| H.264+ | Support only when the display mode is Fisheye View |
| Video Bit Rate | 256 Kbps – 16 Mbps |
| Audio Compression | G.711/G.722.1/G.726/MP2L2/PCM |
| Audio Bit Rate | 64Kbps(G.711)/16Kbps(G.722.1)/16Kbps(G.726)/32-160Kbps(MP2L2) |
| Image | |
| Max. Resolution | 2048 × 1536 |
| Main Stream Max. Frame Rate | 50Hz: 25fps (2048 × 1536, 1536 × 1536) 60Hz: 30fps (2048 × 1536, 1536 × 1536) |
| Sub Stream Max. Frame Rate | 50Hz: 25fps (720 × 720, 704 × 576) 60Hz: 30fps (720 × 720, 704 × 480) |
| Image Enhancement | BLC/3D DNR |
| Image Setting | Saturation, Brightness, Contrast, Sharpness adjustable by client software or web browser |
| Region of Interest | Support 3 fixed region for each stream |
| Day/Night Switch | Auto/Schedule/Triggered by Alarm In (with – S model) |
| Picture Overlay | LOGO picture can be overlaid on video with 128 × 128 24bit bmp format |
| Live View Display | |
| Mount Type | Support table, wall, and ceiling |
| Decoding Mode | Support hardware decoding and software decoding |
| Display Mode | Support 15 display modes in total (including display modes of different mount types and decoding modes): Fisheye View, 180 Panorama View, 4PTZ, Fisheye + 3PTZ, Fisheye + Panorama + 3PTZ, 360 Panorama View, 360 Panorama + PTZ, 360 Panorama + 3PTZ, 360 Panorama + 6PTZ, 360 Panorama + 8PTZ, 2PTZ, Fisheye + 8PTZ, Panorama View, Panorama + 3PTZ, Panorama + 8PTZ |
| Audio (With –S model) | |
| Environment Noise Filtering | Support |
| Audio I/O | Support |
| Audio Sampling Rate | Max. 48 kHz |
| Smart Feature-set | |
| Intrusion Detection | Enter and loiter in a pre-defined virtual region, up to 4 pre-defined virtual regions supported |
| Line Crossing Detection | Cross a pre-defined virtual line, up to 4 pre-defined virtual lines supported |
| Heat Map | A graphical representation of density of visit in a configured area. |

| Network | |
|-------------------------|--|
| Network Storage | Support microSD/SDHC/SDXC card (128G), local storage and NAS (NFS,SMB/CIFS), ANR |
| Alarm Trigger | Motion detection, video tampering alarm, network disconnected, IP address conflicted, illegal login, HDD full, HDD error |
| Protocols | TCP/IP, UDP, ICMP, HTTP, HTTPS, FTP, DHCP, DNS, DDNS, RTP, RTSP, RTCP, PPPoE, NTP, UPnP, SMTP, SNMP, IGMP, 802.1X, QoS, IPv6, Bonjour |
| General Function | One-key reset, anti-flicker, heartbeat, password protection, privacy mask, watermark, IP address filter |
| Standard | ONVIF (PROFILE S, PROFILE G), ISAPI |
| Interface | |
| Communication Interface | 1 RJ45 10M/100M Ethernet port With –S model: 1 RS-485 interface |
| Audio Input | 1 3.5mm audio interface, Mic in/Line in (with – S model); 1 built-in microphone by default, -42dB |
| Audio Output | 1 3.5mm audio output interface (with – S model); 1 built-in speaker by default, support echo cancellation |
| Alarm (With –S model) | 1 input, 1 output (up to DC24V 1A or AC110V 500mA) |
| Video Output | 1Vp-p composite output (75 Ω/BNC) |
| On-board storage | Built-in Micro SD/SDHC/SDXC slot, up to 128 GB |
| Reset Button | Yes |
| General | |
| Operating Conditions | Indoor temperature: -10 °C – 50 °C (14 °F – 122 °F) With –V model: Outdoor temperature: -30 °C – 60 °C (-22 °F – 140 °F) Humidity 95% or less (non-condensing) |
| Power Supply | 12 V DC ± 10%, PoE (802.3af) |
| Power Consumption | 12 V DC ± 10%: Max. 9.3 W PoE (802.3af): Max. 12.18 W |
| Current | Max. 1 A |
| IR Range | 15 m |
| Protection Level | With – V model: IEC60068-2-75Eh, 20J; EN50102, up to IK10 for camera housing With – V model: IP66 |
| Dimensions | 164 × 152.8 × 45.5mm (6.46" × 6.02" × 1.79") With –V model: 164 × 152.8 × 49.5 mm (6.46" × 6.02" × 1.95") |
| Weight | 1400 g (3.09 lbs) |

Note: for detailed resolution of each display mode, consult the dealer or the technical support.

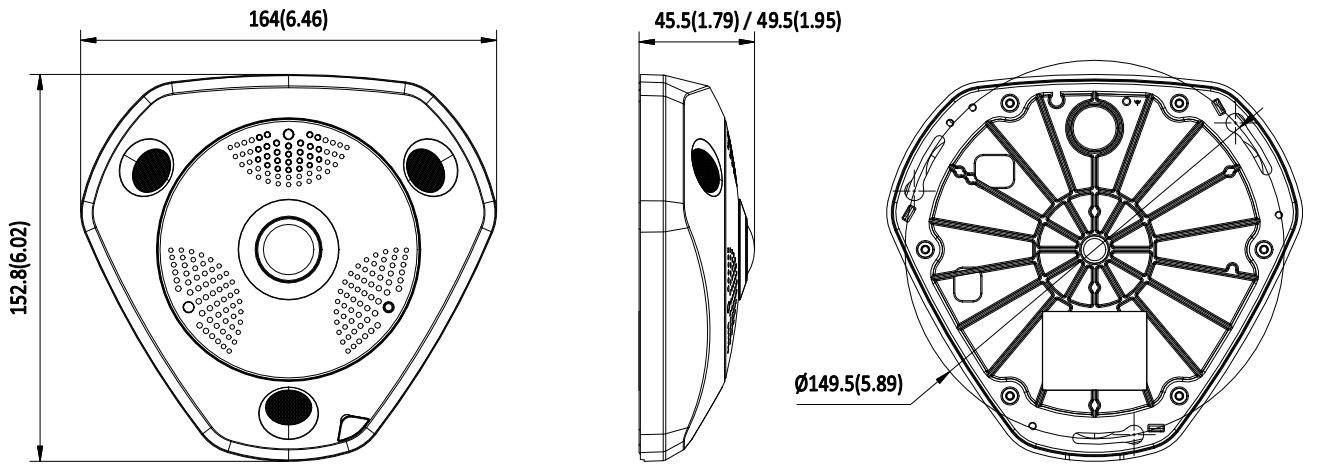
Order Models:

DS-2CD6332FWD-I; DS-2CD6332FWD-IV; DS-2CD6332FWD-IS; DS-2CD6332FWD-IVS

*-S: with 1 audio input (Mic in/line in), 1 audio output, 1 RS-485, 1 alarm input and 1 alarm output

*-V: with protection level of IK 10 and IP66

Dimensions



Unit: mm(inch)

Accessories



DS-1280ZJ-DM25
Junction Box



DS-1281ZJ-DM25
Inclined Ceiling Mount



DS-1273ZJ-DM25
Wall Mount



DS-1271ZJ-DM25
Pendant Mount



DS-1283ZJ
Wall Mount (3-axis Adjustment)

Distributed by



HIKVISION

Headquarters

No.555 Qianmo Road, Binjiang District,
Hangzhou 310051, China
T +86-571-8807-5998
overseasbusiness@hikvision.com

Hikvision USA
T +1-909-895-0400
sales.usa@hikvision.com

Hikvision Europe
T +31-23-55-42-770
info.eu@hikvision.com

Hikvision Middle East
T +971-4-8816086
salesme@hikvision.com

Hikvision Russia
T +7-495-669-67-99
sateru@hikvision.com

Hikvision India
T +91-22-28469900
sales@pramahikvision.com

Hikvision Italy
T +39-0438-6902
info.it@hikvision.com

Hikvision France
T +33(0)1-85-330-450
info.fr@hikvision.com

Hikvision Spain
T +34-91-737-16-55
info.es@hikvision.com

Hikvision Poland
T +48-22-460-01-50
poland@hikvision.com

Hikvision UK
T +01628-902140
support.uk@hikvision.com

Hikvision Singapore
T +65-6684-4718
sg@hikvision.com

Hikvision Oceania
T +61-2-8599-4233
salesau@hikvision.com

Hikvision Canada
T +1-909-895-0400
sales.usa@hikvision.com

Hikvision Korea
T +82-31-731-8841
sales.korea@hikvision.com

Hikvision Brazil
T +55 11 3318-0050
Latam.support@hikvision.com

Hikvision Africa
T +27 (0) 0351172
sale.africa@hikvision.com

Hikvision Hong Kong
T +852-2151-1761