



1 Megapixels	H.264
MPEG-4	M-JPEG
Mini Palm-Size	Day & Night
IR Cut	IR 15M
2-Way Audio	PoE 802.3af
ONVIF	32CH Viewer

MD-111E

1MP Indoor Mini Dome Network Camera

Description

The palm-sized Edimax 1MP Indoor Mini Dome is the smallest dome network camera on the market. It is specifically designed for commercial shopping boutiques and business offices. With a $\phi 92\text{mm} \times 63\text{mm}$ classic white housing it blends into the surroundings without any sense of threat to customers or employees provides comprehensive protection and recording coverage.

Mini Palm-Size Design

Stylish, mini palm-sized with a $\phi 92\text{mm} \times 63\text{mm}$ classic white housing it blends into the surroundings without any sense of threat to customers or employees.



DIA. 92mm only

Day & Night Monitoring

19 infrared LEDs with mechanical ICR and auto light sensor for day and night monitoring.



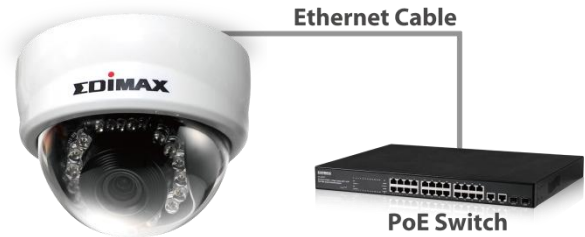
19 IR LEDS & ICR

1MP Indoor Mini Dome Network Camera

MD-111E

Power over Ethernet

Designed for professional indoor surveillance and security applications and compliant with 802.3af PoE for power and data transmission over a single Ethernet cable.



Free 32-Channel Viewer Software

The Edimax network camera comes with EdiView32 software, a 32-channel viewing, recording and management program that allows for simultaneous live monitoring and high-resolution video recording.



Easy Installation

Designed can be opened by removing the cover with one finger.



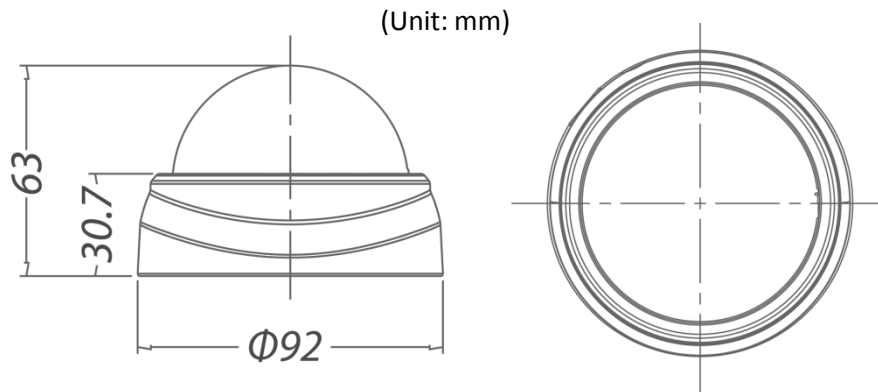
1MP Indoor Mini Dome Network Camera

MD-111E

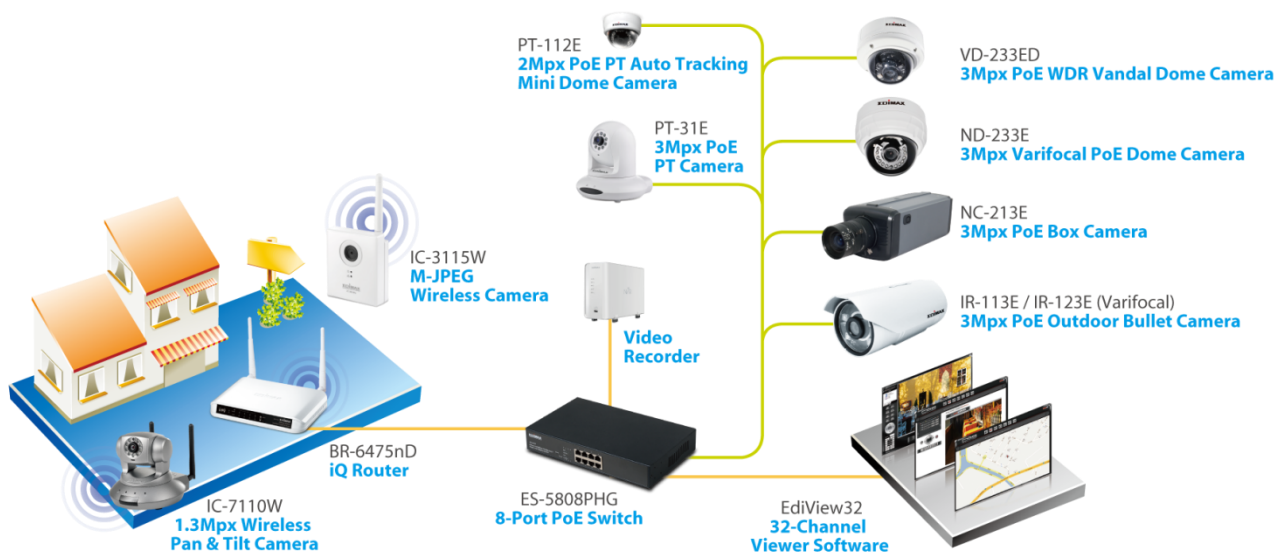
FEATURES

- Palm-sized and stylish design with unique interior IR performance and excellent reliability
- Take apart the cover with only one finger
- Manually pan/tilt range: pan 200° tilt 70°
- H.264/MPEG4/M-JPEG codec
- WXGA (1280 x 800) @30FPS
- Supports IEEE802.3af Power over Ethernet (PoE) standard
- 19 IR LEDs with mechanical ICR and auto light sensor for day and night monitoring

DIMENSIONS



IP SURVEILLANCE APPLICATIONS



1MP Indoor Mini Dome Network Camera

MD-111E

TECHNICAL SPECIFICATIONS

Model	MD-111E	
System	RAM: 2GB DDR ROM: 16MB Flash ROM	
Image Sensor	1/4" CMOS	
Lens	Focal Length / F-Number	Fixed 4.0mm(F2.0)
	View Angle	62°
Day Night Operation / IR Distance	Mechanical ICR/10~12M	
Min. Illumination	1.3Lux/F2.0	
Pan / Tilt / Rotate	Manually: Pan : 200°, Tilt : 70°	
Video Compression	H.264 / MPEG4 / M-JPEG	
Max Resolution	WXGA (1280 x 800) @ 30 FPS	
Special Features	Event Trigger	Motion Detection
	Digital In / Out Points	-
	Digital Zoom	Yes
	WDR	-
	Smartphone Monitoring	-
Storage	Micro SD Card slot	
Audio Interface	Built-in Mic	
Network	10BASE-T / 100BASE-TX	
Power Supply	PoE (IEEE 802.3af)	
Operating Temperature	0°C - 40°C	
Dimensions (mm)	ø 92mm x 63mm(H)	
Weight (g)	276g	
Certification (EMI, IP, RoHS)	CE / FCC / RoHS	
ONVIF Support	Yes	

RELATED PRODUCTS

Model No.	PT-112E	PT-111E	MD-111E
Description	2MP Indoor PT Auto Tracking Mini Dome Network Camera	1MP Indoor PT Auto Tracking Mini Dome Network Camera	1MP Indoor Mini Dome Network Camera