

# DHI-HY-SAV849HA-E

## 5 MP IR AI-fire Smoke Sensing Network Camera



- Dual photoelectric smoke sensing chamber to eliminate the false alarm effectively
- Smoke sensing integrated on product and remote alarm linkage
- Multiple AI-Fire algorithms integration such as flame detection, off-duty detection and neglect of duty
- Easy to install Ethernet
- Powered by PoE or DC12V
- Larger surveillance view based on 2.00 mm wide-angle camera

### System Overview

Together with high-performance microprocessor and advanced electronic technology, DHI-HY-SAV849HA-E, the 5 MP IR AI-fire Smoke Sensing Network Camera has the characteristics of high sensitivity and stability. Based on the mounting bracket, it can be easily installed on the ceiling. With built-in high-decibel buzzer, it will send out a sound and light alarm signal in time to remind users to take effective measures immediately when the smoke concentration reaches the alarm setting value.

### Functions

#### Multiple Sensing Technology

This device integrates functions of video surveillance and smoke detection, offering a solution to do the remote check through the camera.

#### Fire Prevention Management

The device integrates multiple intelligent algorithms, including off-duty detection, neglect of duty detection and flame detection, which are especially designed for fire prevention management.

#### Fire Detection & Alarm

With built-in fire detection functionality, the camera has the ability to detect fire from a long distance. Because cameras are sensitive to temperature, they provide higher fire detection accuracy than general camera.

#### Lower False Alarm

The smart algorithm of automatic compensation against dust concentration helps reduce false alarms. Based on the advanced chamber technology with dual photoelectric smoke sensing components, the device has higher accuracy rate on smoke detection.

### Functions

#### Environmental

This device can operate in relatively extreme temperature environments, rated for use in temperatures from  $-10^{\circ}\text{C}$  to  $+55^{\circ}\text{C}$  ( $+14^{\circ}\text{F}$  to  $+131^{\circ}\text{F}$ ) with 95% humidity.

#### High-quality Video

Supporting 5MP video output, the camera enables users to pinpoint the fire location.

### Scene

This device is applicable to most places where both fire alarm and video surveillance are needed, such as:

- Chain stores
- Unattended base stations
- Unmanned power distribution rooms
- ATM areas
- Libraries

## Technical Specification

### Smoke Detector

Model	DHI-HY-SAV849HA-E
Communication	1 RJ-45 PoE 10M/100M Ethernet ports
Indicators	Standby: Green indicator flashes once per minute Fault: Red indicator flashes once per minute Alarm: Red indicator flashes once per second
Protection Area	30 m <sup>2</sup> –60 m <sup>2</sup>
Operating Principle	Photoelectric
Alarm Method	Sound and LED Indicator
Power	DC12V / PoE and 3V lithium battery
Operating Current	≤30uA (Camera excluded) ≤300mA (Camera included)
Back-up Battery Life	3–5 years
Operating Temperature	–10°C to +55°C (+14°F to +131°F)
Operating Humidity	0%–95% RH (non-condensing)
Alarm Classification	Smoke alarm, fault alarm, undervoltage alarm
Alarm Sound Pressure	≥80 dB (A) @ 3 m (9.84 ft)
Dimensions	φ120 mm × H67 mm (4.72" × 2.64" )
Weight	420 g (0.93 lb)
Installation	Ceiling mount

### Network Camera

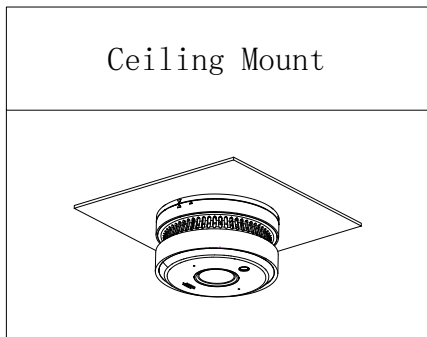
Image Sensor	1/2.7" CMOS
Focal Length	2.0 mm
Field of View	Horizontal: 146.4°; Vertical: 179.6°
Max. Resolution	5 MP
ROM	256 MB
RAM	512 MB
Day/Night	Auto (ICR)
Noise Reduction	3D NR
WDR	True WDR
S/N Ratio	>56 dB
AGC	Auto; manual
White Balance	Auto; manual
BLC	Yes
HLC	Yes
Compression	H.265; H.264; H.264H; H.264B
Video Bit Rate	H.264: 32 Kbps–10240 Kbps H.265: 12 Kbps–7168 Kbps

Frame Rate	50Hz: Main stream (2688 × 1520@25 fps/2688 × 1520@25 fps/2304 × 1296@25 fps) Sub stream (704 × 576@25 fps/(704 × 576@25 fps/(704 × 576@25 fps/1920 × 1080@25 fps/1920 × 1080@25 fps) 60Hz: Main stream (2688 × 1520@30 fps/2688 × 1520@30 fps/1280 × 720@30 fps/1920 × 1080@30 fps) Sub stream (704 × 480@30 fps/704 × 480@30 fps/704 × 480@30 fps) Third stream (1920 × 1080@25 fps/704 × 480@30 fps/1920 × 1080@30 fps)
L:W	16:9
Max. Frame Rate	2592 × 1944@20 fps
Bit Rate Control	Variable/Constant
Default Frame Rate under Default Resolution	4096 Kbps (2592 × 1944)
Language	English
Alarm Linkage	Smoke alarm
Special	Auto WDR at night
Image Setting	Brightness; contrast; sharpness; saturation; gamma
OSD	Channel/time/place/voltage of back-up battery
Image rotation, mirroring, flipping	Yes
Recording Mode	Recording manually or linked with alarm
Storage	FTP; SFTP; Micro SD card (256G); NAS
Network Port	1 10M/100M Ethernet port (RJ-45)
User	10 channels at most
Reset	Yes
Browser	IE7 and newer versions Chrome 8+ Firefox 3.5+ Safari 5+
User Management	Support 32 users at most and users are classified as multiple groups
Alarm Input Interface	2 channels In: 5mA 5VDC
Alarm Output Interface	2 channels Out: 300mA 12VDC
Security	Authorized username and password; attached MAC address; encrypted HTTPS; IEEE 802.1X; controlled network access
Protocol	HTTP;TCP;RTSP;RTP;UDP;RTCP;SMTP;FTP;DHCP;DNS;DDNS;IPv4/v6;SNMP;QoS;UPnP;NTP
Interoperability	ONVIF; MileStone; Genetec; CGI; PISA
Power Supply	DC12V+PoE
Ingress Protection	IP30

## Ordering Information

Type	Part Number	Description
AI-Fire Smoke Sensing Network Camera	DHI-HY-SAV849HA-E	5 MP IR AI-fire Smoke Sensing Network Camera

## Installation



## Dimensions (mm[inch])

