



SIMPLE WAY TO MONITOR BATTERIES

Ensuring multiple batteries are optimally charged and ready for use

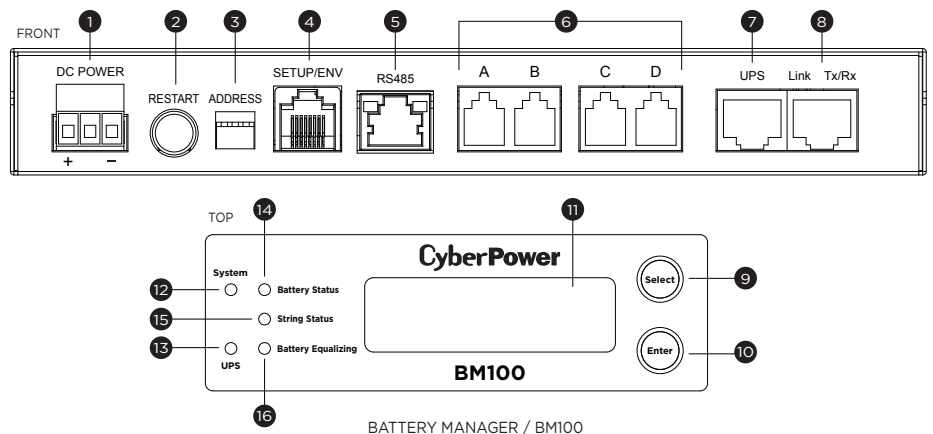
Designed for battery management and monitoring, the Battery Management System Series consists of Battery Manager and Battery Probes. The system provides a proactive approach to manage and monitor the battery system, eliminating the risk of downtime by ensuring the batteries are optimally charged and ready for use. The systems detect the weak batteries early to reduce the possibility of damage to the entire battery strings, thus extending the battery lifespan, maximizing the battery performance, and delivering a reduced cost of maintenance. The battery management systems can monitor up to 200 batteries and equalize each battery's voltage to enhance battery performance.

SERIES FEATURES

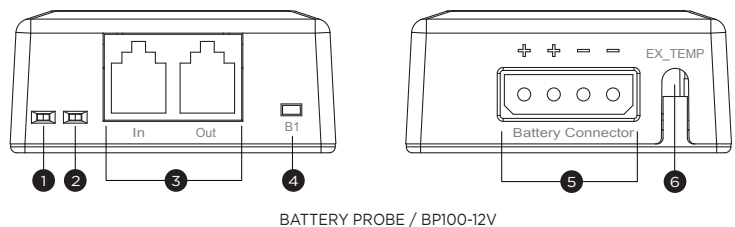
- Reduce Risk of Downtime
- Battery Voltage/Temperature/Resistance Monitoring
- Support Multiple Management Interface
- Low Power Consumption
- User-friendly Web Interface
- Support ENVIROSENSOR
- Battery String Voltage Equalization
- Automatic Event Notification
- Battery Analysis at Selectable Intervals
- Wide Operating Temperature
- User-upgradeable Firmware

PRODUCT CALLOUTS

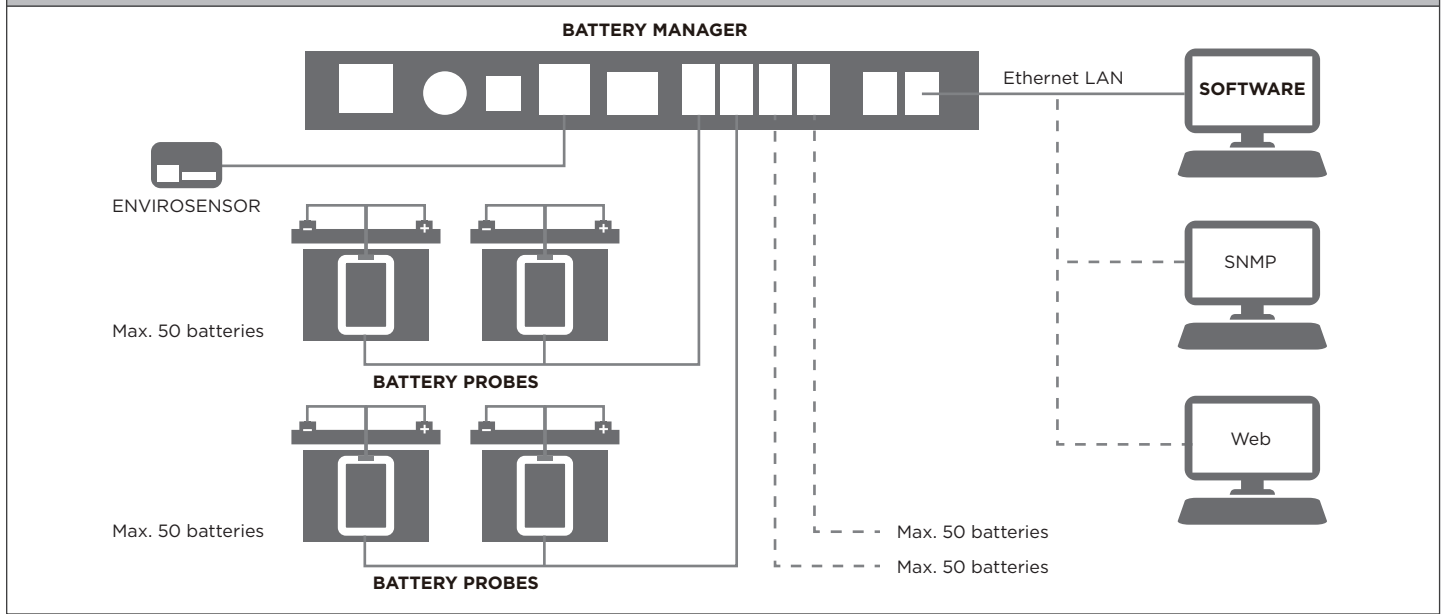
1. DC POWER Connector
2. RESTART Button
3. ADDRESS
4. SETUP/ENV Port (RJ45)
5. RS485 Port
6. String A/B/C/D Port
7. UPS Port
8. Ethernet Port (RJ45)
9. Select Button
10. Enter Button
11. Multifunction LCD Readout
12. System Status Indicator
13. UPS Communication Indicator
14. Battery Status Indicator
15. String Status Indicator
16. Battery Equalizing Indicator



1. Battery Status LED Indicator
2. Power and Communication Status LED Indicator
3. In/Out Ports (RJ25)
4. B1 Button (Future Use)
5. Battery Connector
6. EX_TEMP (Future Use)



What makes up the Battery Management System?



TECHNICAL SPECIFICATIONS

Model Name	BM100
General	
Input DC Voltage Range (Vdc)	15 - 60
Power Consumption (W)	4
Number of Monitored Strings (PCS)	4
Number of String Batteries (PCS)	50
Management & Communications	
Connection ports to Battery Probes	Yes - via RJ25
Supported Protocols	IPv4, TCP/IP, UDP, SNMPv1, HTTP, NTP, DNS, Telnet, DHCP, SMTP, FTP, IPv6, SNMPv3, HTTPs, SSH, SSL, TLS
Network Port	RJ45 - 10/100Mbps Ethernet
Environmental Sensor Supported	Yes
LCD Panel	Yes
LED Indicators	System, UPS, Battery Status, String Status, Battery Equalizing
Physical Size	
Dimensions (WxHxD) (mm.)	210 x 29 x 100
Weight (kg.)	0.573
Shipping Dimensions	
Dimensions (WxHxD) (mm.)	247 x 75 x 149
Weight (kg.)	0.967
Physical	
Color	Black
Environmental	
Operating Temperature (°C)	-40 - 60 (LCD Readout: -20 - 60)
Operating Relative Humidity (Non-condensing)	0 - 90
Operating Elevation	0-10,000 feet (0-3,000 meters)
Certifications	
Certifications*	CE, FCC Class A
RoHS	Yes
Warranty	
Product Warranty	2 Year(s) Limited

*Certifications may vary according to different regions. Visit www.cyberpower.com for more information.
#All specifications are subject to change without notice.

Model Name	BP100-12V
General	
Input DC Voltage Range (Vdc)	8 - 16
Power Consumption (mW)	< 180
Internal Resistance Resolution (mΩ)	0.01
Voltmeter Resolution (mV)	10
Voltmeter Accuracy	< 0.5%
Temperature Resolution (°C)	0.1
Temperature Accuracy (°C)	0-60°C with accuracy < 1°C, -40-0°C with accuracy < 2°C
Battery	
Battery Rating Voltage (Vdc)	12
Battery Rating Capacity (AH)	5 - 200
Battery Type	Valve-Regulated Lead-Acid (VRLA), Vented Lead Acid (VLA)
Battery Resistance Range (mΩ)	1.0 - 60
Battery Leakage Current (uA)	< 10
Circuit Protection	DC fuse
Equalization Acceptable Voltage (Vdc)	> 13.2
Charge Balance (mV)	± 50
Management & Communications	
Connection ports to Battery Manager and Battery Probes	Yes - via RJ25
LED Indicators	Yes
Physical Size	
Dimensions (WxHxD) (mm.)	55 x 25 x 80
Weight (kg.)	0.055
Shipping Dimensions	
Dimensions (WxHxD) (mm.)	168 x 58 x 164
Weight (kg.)	0.21
Physical	
Color	Black
Environmental	
Operating Temperature (°C)	-40 - 60
Operating Relative Humidity (Non-condensing)	0 - 90
Operating Elevation	0-10,000 feet (0-3,000 meters)
Certifications	
Certifications*	CE, FCC Class A
RoHS	Yes
Warranty	
Product Warranty	2 Year(s) Limited

*Certifications may vary according to different regions. Visit www.cyberpower.com for more information.
#All specifications are subject to change without notice.