

TN60 / TN60W

H.264/PIR/IR LEDs/ microSD Slot / Smartphone 2-way Audio



Plug-n-Play / H.264 Cloud Network Camera

The Day & Night cloud solution to view your doorway, garage, and hallway on your smartphone or tablet!



- Small and functional design
- 10X digital zoom
- H.264 and MJPEG compression
- Cloud smartphone /tablet app and push notification
- 2-way audio communication via microphone and speaker
- microSD card slot for events recording and snapshots
- PIR sensor and IR LED
- Smartphone 2-way audio
- Upgradeable to WiFi with Compro WL160 USB stick (802.11b/g/n)

Compro TN60 / TN60W is a sleek and compact network camera with the latest cloud technology, plug-n-play design and super easy QR code cloud installation, let you install camera and start monitoring from your smartphone or tablet just in seconds. It's the best cloud solution to protect your home and valuable possessions from anywhere in the world.

Easy Installation and Setup

The camera is so easy to set up that even novice users can complete the setup in seconds. Unlike other network cameras, installing this camera does not require any networking expertise. Nor is any sort of router setup required - simply plug in the cable, scan QR code for mobile app and camera install, and then your TN60 / TN60W camera is ready to be viewed and shared on the Internet.

Exclusive C4Home Mobile App

You can download the exclusive and feature-rich C4Home™ camera viewer app to view and manage your Compro cameras on the iPhone® or Android™ devices. Also, the free C4Home™ mobile app enables you to securely share camera video with your friends and families on your friends list.

Push Notification

The push event notification feature enables the camera to send an alert message to user's smartphone or tablet when it detects motion events. User can choose to watch the snapshots from push message on smartphone/tablet or watch the live situation from camera.

Day & Night Functionality for 24/7 Surveillance

TN60/TN60W features IR LEDs for round-the-clock surveillance under any low-lighting condition. When in low-light conditions, the built-in IR LEDs are automatically switched on to provide additional infrared light that help deliver clear night-time image.

Easy Wireless Network Installation

TN60 offers a fast and easy wireless upgrade solution. Simply plug the optional wireless adapter into the camera's USB socket, and you will instantly get 802.11 b/g/n wireless LAN support on the TN60. (The TN60W package includes wireless adaptor)

Intelligent Home Surveillance Solution

Not just cloud monitoring, TN60 / TN60W offers a wealth of applications to provide an intelligent surveillance solution, such as iWizard and WebVUer. iWizard is a smart installer to turn the complicated network camera installation into a simple and fast process. WebVUer is an intuitive IE-based video management software loaded with all the key features for trouble-free remote monitoring.



TECHNICAL SPECIFICATION

CAMERA

Image Sensor	1/7" progressive scan CMOS sensor
Lens	<ul style="list-style-type: none"> Focal length: 2.0 mm Max aperture ratio: F2.8 Fixed iris
Zoom	10x digital zoom
Angle of View	55° horizontal
Focusing Range	1 m ~ INF
Minimum Illumination	<ul style="list-style-type: none"> IR mode: 0 lux, with 3 built-in IR LEDs in darkness (effective up to 6m) Color mode: 1.0 lux
Shutter Time	1/5 ~ 1/16000 sec.

VIDEO

Video Compression	M-JPEG, H.264 (MPEG-4 Part 10)
Resolution	160x120, 320x240, 640x480
Frame Rate	Up to 30 FPS at 640x480
Video Streaming	Dual streaming supported
Image Settings	<ul style="list-style-type: none"> Adjustable image size and quality AGC, AES Configurable brightness, saturation and sharpness

AUDIO

Audio Communication	Two-way audio with built-in microphone and speaker
Audio Compression	G.711 PCM 64Kbit/sec

NETWORK

Wireless LAN	Optional 802.11n USB wireless adapter
Security	<ul style="list-style-type: none"> User name / password protection WEP/WPA/WPA2 encryption (wireless network)
Protocols	TCP/IP, HTTP, UDP, FTP, ICMP, ARP, DHCP, NTP, DDNS, UPnP, RTP, RTSP, RTCP, SMTP, IGMP, 3GPP, IPv4
Ethernet	10/100 Base-T, autosensing, RJ-45

FIRMWARE

Firmware	<ul style="list-style-type: none"> Support UPnP Support online firmware update
-----------------	--

WEB BROWSER

Internet Explorer (ActiveX)	<ul style="list-style-type: none"> Remotely view and configure camera on IE Record video and capture snapshots on PC Alarm and event management: FTP and SMS/Email alert messaging
------------------------------------	---

Supported Viewing Devices	<ul style="list-style-type: none"> PC, laptop, tablet, nettop with IE8 iPhone®/iPad, BlackBerry, Android™, WM, PDA, or cell phones with web browser (MJPEG mode)
----------------------------------	--

MOBILE MONITOR

Smartphone App	<ul style="list-style-type: none"> Free mobile applications for iPhone and Android Push notification Smart motion detection Share video to others Watch multiple channels at the same screen (not support iPhone/iPad)
-----------------------	---

MJPEG Mode	View live image on mobile web browser
-------------------	---------------------------------------

3GPP Mode	View live video on 3G cell phone (3GPP Streaming)
------------------	---

GENERAL

Local Storage	microSD/SDHC card slot (supports local storage of snapshots and video recordings)
----------------------	---

PIR Sensor	Effective distance up to 6M (horizontal)
-------------------	--

Operating Conditions	0 °C ~ 40 °C (32 °F ~ 104 °F)
-----------------------------	-------------------------------

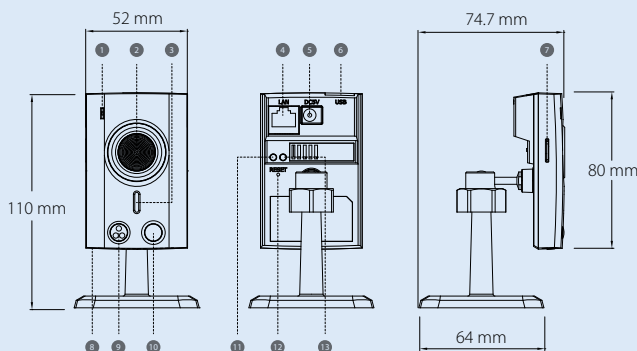
Power Supply	DC 5V/2A
---------------------	----------

Viewing System Requirements	<ul style="list-style-type: none"> Computer with 2.8GHz dual-core processor and 2GB memory or above Operating system: Windows XP SP3, Vista SP1, Windows 7, Mac OS 10.6 (Live view in MJPEG mode) Internet browser: Internet Explorer 8.0 or later; non-IE browsers require 3rd-party VLC plug-in
------------------------------------	--

Package Contents	<ul style="list-style-type: none"> Network camera Software CD (contains user's manual) Quick installation guide Ethernet cable Screws for ceiling mounting Screw anchor Power adapter Wireless Adaptor (Only in TN60W)
-------------------------	--

Dimensions	64 x 74.7 x 110 mm (including bracket)
-------------------	--

Camera Dimensions and Layout



- 1 LED status indicator
- 2 Lens
- 3 Speaker
- 4 Ethernet port
- 5 Power connector
- 6 USB wireless adaptor port
- 7 microSD card slot
- 8 Microphone pinhole (on the bottom)
- 9 IR LED x3
- 10 PIR sensor
- 11 Connection status indicator
- 12 Reset button
- 13 Network speed indicator

Optional Accessory



WL160 802.11 b/g/n USB Wireless Adapter

- Complies with IEEE 802.11b, IEEE 802.11g, and IEEE 802.11n standard
- High data transfer rate – up to 300Mbps
- Supports 64/128-bit WEP, WPA, WPA2