

## N-Series Superior Night Vision 1.3 Megapixel Vandal Dome Network Camera

VD-130Np

Smart Focus® / WDR Enhancement®



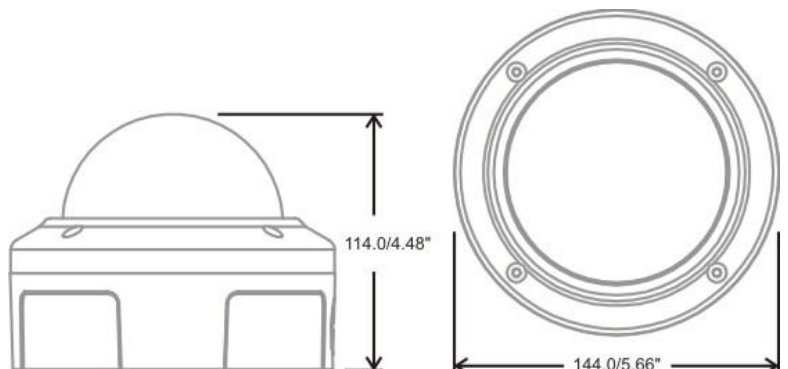
- N-Series Sony Exmor 1.3M Outdoor Dome Camera
- **SmartFocus®** to Ease the Zoom and Focus Adjustment Remotely
- Brickcom **WDR Enhancement®** technology inside
- HDTV Quality (720p @ 30fps)
- **Intelligent Multi-Profile Sensor Management®** for Different Environments
- Removable IR-cut Filter /Auto Light Sensor for Day and Night
- 1 DI/DO for External Alarm and Sensor Device
- Two-way Audio/Built-in SD/SDHC Memory Card Slot for Local Storage
- Vandal-Proof and Weather-Proof.(IP67)
- Built-In Fan (-40°C ~ 60°C) and Heater
- Power over Ethernet



Photo Indication & Dimension Diagram



- |   |  |
|---|--|
| ① Fan   | ⑦ Terminal Block (for Audio in/out, DI/DO) |
| ② RJ45 Connector<br>(for Ethernet and High Power PoE) | ⑧ Terminal Block (for Power)               |
| ③ Conduit Plug and Hole                               | ⑨ SD Card Slot                             |
| ④ LENS  |  |
| ⑤ Tilt Screw  |  |
| ⑥ Reset Button  |  |



## VD-130Np

### Camera

**Hardware System** CPU: 500 MHz  
Flash: 16M  
RAM: 128M DDR

**Image Sensor** Sensor Type : 1/3" Sony CMOS 1.3 Megapixel Sensor  
Sensor Resolution : 1280x1024/HDTV  
Minimum illumination :0.1Lux@F.1.2

**Lens** Lens Type: Board Lens  
Focal Length: 3mm(W)~9mm(T)  
Iris: F1.2(W)~F2.7(T)  
View Angle:  
(H): 115.2°(W)~37.1°(T)  
(V): 63.29°(W)~20.8°(T)  
(D):132.6°(W)~42.5°(T)

**Day & Night ICR** Triggered by Light sensor, Scheduling, Digital Input

### Video

**Video Image Compression** H.264 / MPEG4 / MJPEG

**Video Setting** Audio Exposure Control:  
Sport/ Normal/ Night Vision/ User Defined  
Auto Gain Control: 1X~5X  
Shuttle Speed: 1/32000 s ~ 1 s

**Image Resolution** **1.3M**  
-1280x1024@25fps  
**1M**  
-1280x720@30fps

### Audio

**Audio Streaming** 2-way Audio Support

**Audio Compression** G.711, AMR (8 kHz, Mono, PCM)

**Audio Input/ Output** Line In(Unbalanced, 1.4 Vp-p, 1 Vrms)/ Line Output

### General

**Communication** Ethernet : one 10/100Mbps RJ-45  
Supported Protocols : TCP/IP, UDP, ICMP, DHCP, NTP, DNS, DDNS, SMTP, FTP, HTTP, Samba, PPPoE, UPnP, RTP, RTSP, RTCP

**Power Input** High Power PoE / DC48V/0.8A

**Max. Power Consumption** 25 watts

**Environment** Water Proof: IP67  
Operating Temperature : -40°C ~ 60°C (-40°F ~140°F), build in fan and heater  
Operating Humidity : 10% ~ 80%

**Dimension** 113.75 (D) mm X 144.25(H) mm

**Weight** 860g/1.90lb

**Certification** FCC, CE

**Warranty** Limited 2-year warranty

## Work Best With

### Camera Accessories Options



**IR-040**  
IR illuminator



**L-WM-01**  
Camera Bracket

### Network Equipment Options



**DWRT-600N**  
Dual Band Wireless Router



**PS-588I**  
8-port 10/100M PoE Fast Ethernet Switch



**POE30U**  
High Power PoE Injector