

## 5 Megapixel Compact Cube Network Camera

CB-500A Series

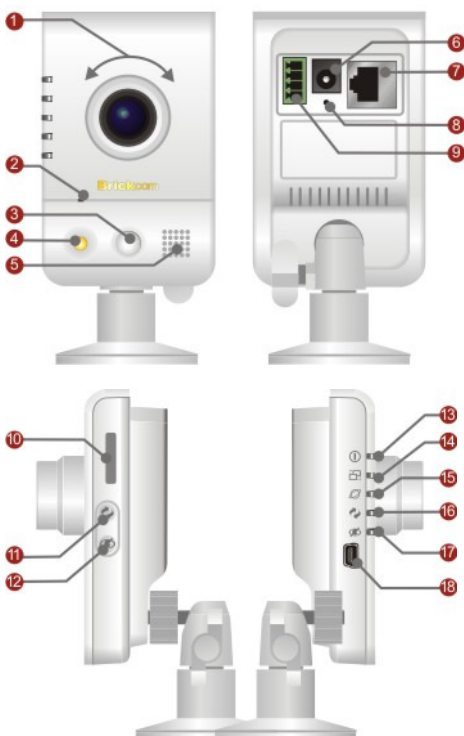
HDTV 1080p/720p • WiFi/3G/4G Wireless Connection • PoE



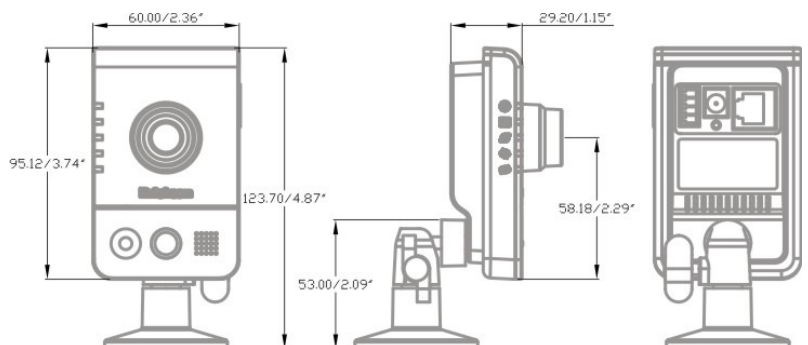
- Most Intelligent, Compact and Affordable 5M Camera
- HDTV Quality (Full HD 1080p @ 30fps Streaming)
- Unique Design for Low Lux Application (1/2.5" Sensor)
- Intelligent Multi-Profile Sensor Management for Different Environment
- Support 802.11a/b/g/n Dual Band Wireless Connectivity
- WPS Supported for Easy Wireless Network Setup
- Support 3G/ 4G (WiMAX/LTE) Wireless Connectivity
- Interchangeable CS Mount Lens
- Edge Recording/ Micro SD slot
- PoE/ Two-way Audio/ PIR/ Illumination LED/ DIDO/ Privacy button



### Photo Indication & Dimension Diagram



- ① Adjustable focal Lens
- ② Built-in Microphone
- ③ PIR
- ④ Illumination LED
- ⑤ Speaker
- ⑥ Power Connector
- ⑦ Ethernet RJ45 Socket
- ⑧ Reset Button
- ⑨ DIDO Terminal I/O Connector
- ⑩ Micro SD/SDHC slot
- ⑪ WPS button
- ⑫ Privacy button
- ⑬ Power LED
- ⑭ Status LED
- ⑮ Internet LED
- ⑯ WPS LED
- ⑰ Privacy LED
- ⑱ USB Port for 3G/4G



## CB-500A Series

Camera		Audio	
<b>Hardware System</b>	CPU: 533 MHz Flash: 32M RAM: 256M DDR	<b>Audio Streaming</b>	2-way Audio Support
<b>Image Sensor</b>	Sensor Type : 1/2.5" CMOS 5 Megapixel Sensor Sensor Resolution : 2592 x 1944 pixel Minimum illumination : 0.5 Lux @ F1.5 0.8 Lux @ F1.8	<b>Audio Compression</b>	G.711, AMR (8 kHz, Mono, PCM)
<b>Lens</b>	<b>CB-500Ap/ WCB-500Ap</b> Lens Type: Board Lens Focal Length: f= 4 mm Iris: F1.5 View Angle: (H): 76.7° (V): 58.8° (D): 94.7° <b>CB-502Ap/ WCB-502Ap</b> Lens Type: CS Mount Lens Focal Length: f= 4.2 mm Iris: F1.8 View Angle: (H): 50° (V): 37° (D): 58°	<b>Audio Input/ Output</b>	Built-in MIC & Speaker
Video		General	
<b>Video Image Compression</b>	H.264 / MPEG4 / MJPEG	<b>Communication</b>	Ethernet : one 10/100Mbps RJ-45 Supported Protocols : TCP/IP, UDP, ICMP, DHCP, NTP, DNS, DDNS, SMTP, FTP, HTTP, Samba, PPPoE, UPnP, RTP, RTSP, RTCP, IPv6
<b>Video Setting</b>	Audio Exposure Control: Sport/ Normal/ Night Vision/ User Defined Auto Gain Control: 1X~5X Shuttle Speed: 1/20000~1/2 s	<b>Power Input</b>	DC12V/ 1A(Power Supply)
<b>Image Resolution</b>	<b>5M</b> : 2592x1944 @ 10fps (Support in the future) <b>4M</b> : 2032x1936 @ 15fps <b>3M</b> : 2032x1536 @ 20fps <b>2M (Full HD)</b> : 1920x1080 @ 30fps <b>1M (HDTV)</b> : 1280x800 @ 60fps	<b>Max. Power Consumption</b>	<b>CB-500Ap/502Ap</b> : 4.2 watts <b>WCB-500Ap/502Ap</b> : 4.6 watts
		<b>Environment</b>	Operating Temperature 0°C ~ 50°C (32°F ~122°F), Operating Humidity : 10% ~ 80%
		<b>Dimension</b>	34.8 (L) X60 (W) X 95 (H) mm
		<b>Weight</b>	<b>CB-500Ap</b> : 99g <b>WCB-500Ap</b> : 106g <b>CB-502Ap</b> : 122g <b>WCB-502Ap</b> : 129g
		<b>Certification</b>	FCC, CE
		<b>Warranty</b>	Limited 2-year warranty

CB-500A Series	CB-500Ap	WCB-500Ap	CB-502Ap	WCB-502Ap
Interchangeable CS-Mount Lens			✓	✓
Wireless (11a/b/g/n dual band WiFi)		✓		✓
Wired (802.3af PoE)	✓		✓	
USB port for 3G/ 4G(WiMAX/LTE)	✓		✓	
DIDO I/O Port	✓	✓	✓	✓

## Work Best With

### Camera Accessories Options



**T3Z2914CS-IR**  
3x Vari-focal Lens with Manual Iris



**CI-803A/CI-803C**  
Camera Bracket



**GL-222**  
Camera Bracket

### Network Equipment Options



**DWRT-600N**  
Dual Band Wireless Router



**PS-588I**  
8-port 10/100M PoE Fast Ethernet Switch



**BP-1000**  
UPS power pack (Edge Recording)