

I915

2MP Outdoor Speed Dome with D/N, Adaptive IR, Extreme WDR, ELLS, 36x Zoom Lens

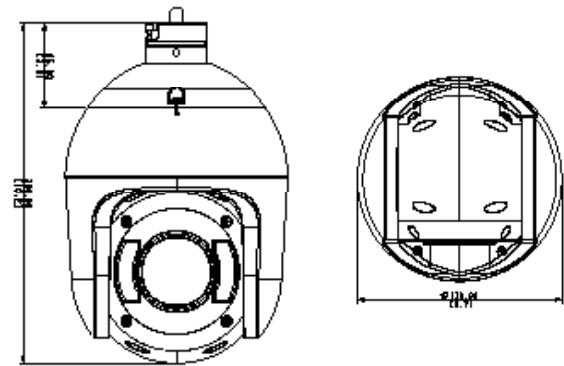


- 2 Megapixel with 1080p
- Day & Night with Extreme Low Light Sensitivity and Adaptive IR LED
- 36x Zoom Lens with f4.6-165.6mm / F1.55-5.0, DC Iris, Auto Focus
- Extreme WDR
- 60 fps at 1920 x 1080
- Endless Pan & Tilt
- Weatherproof (IP66) and Vandal Proof Metal Casing (IK10) with Built-in Dehumidifier
- Scratch-resistant and Water-repellent Lens Glass
- Built-in Analytics

PHOTO INDICATION



DIMENSION DIAGRAM



Unit: mm [inch]

ACCESSORY OPTIONS

High PoE Injector	
PPOE-0102	High PoE Injector with universal connector

Popular Mounting Solutions	
Wall	PMAX-0312 PMAX-0702
Pendant	PMAX-0102
Corner	PMAX-0312 PMAX-0702 PMAX-0402
Pole	PMAX-0312 PMAX-0702 PMAX-0503

* For more mounting solutions, please refer to Project Planner on www.acti.com

PRODUCT SPECIFICATION

• Device

Product Type	Outdoor Speed Dome
Image Sensor	Progressive Scan CMOS
Sensor Size	1/2.8"
Effective Pixels	1945 (H) x 1097 (V) (2.13 MP)
Horizontal Resolution	1800 TVL
Day / Night	Yes
Low Light Sensitivity	Extreme
Minimum Illumination	Color: 0.1 lux at F1.55 (30 IRE, 2400°K); B/W: 0 lux at F1.55 (IR LED On)
Color to B/W Switch	ISP based switch, configurable
Mechanical IR Cut Filter	Yes
IR Sensitivity Range	700- 1100nm
IR LED	Adaptive IR LED x 6 (850nm)
IR Working Distance	150m (0 lux, 30 IRE, Gain 255, Auto shutter mode)
Electronic Shutter	1/5 - 1/32,000 sec (manual mode); 1/5 - 1/32,000 sec (auto mode)
S/N Ratio	56 dB

• Lens

Focal Length	Zoom, f4.6 - 165.6mm / F1.55 - 5.0
Zoom Ratio / Speed	36x optical / 2.0 sec (tele to wide)
Zoom Application	Camera installation; Auto zoom by event; Manual operation
Iris	DC iris
Focus	Auto focus
Horizontal Viewing Angle	62.7° - 2.7°
Vertical Viewing Angle	38.5° - 1.6°

• PTZ

Scan Panning / Tilting Speed	0.16° ~ 32°/s / 0.16° ~ 16°/s
Manual Panning / Tilting Speed	0.16° ~ 54.4°/s / 0.16° ~ 27.2°/s
Preset Panning / Tilting Speed	0.16° ~ 300°/s / 0.16° ~ 150°/s
Panning Range	360° Endless
Tilting Range	-20° ~ 200°
Control	Remote manual control; 256 preset points; 10 preset tours; Auto scan
Preset Panning Accuracy	± 0.265°
Preset Tilting Accuracy	± 0.265°
Absolute Position	Yes
Protocol	ACTi URL command, Sony VISCA, Pelco D, Pelco P

• Video

Compression	H.264 (Baseline / Main / High profile), MJPEG
Max. Frame Rate vs. Resolution	60 fps at 1920 x 1080; 60 fps at 1280 x 720; 30 fps at 640 x 480; 30 fps at 320 x 240
Multi-Streaming	Simultaneous triple streams based on three configurations
Bit Rate	128 Kbps - 12 Mbps (per stream)
Bit Rate Mode	Constant, Variable
Image Enhancement	Extreme WDR (145 dB); White balance: automatic, hold and manual; Brightness; Contrast; Sharpness; Automatic gain control; 2D+3D digital noise reduction; Flickerless; Defogging; Digital Image Stabilizer
Privacy Mask	20 configurable regions
Text Overlay	User defined text on video
Image Orientation	Image flip and mirror
Built-in Analytics	Face Detection, Object Based Motion Detection, Tampering, Shock Detection, PTZ Auto Tracking, Line Crossing, Enter Area, Missing Object, Unattended Object, Loitering

• Audio

Audio	2-way (Mic-in, Line-in, Line-out)
Compression	8 kHz, Mono, PCM, 16 bit encoding; G.711
Audio-In / Audio-Out	Cable with 3.5mm phone jack

• Network

Protocol & Service	IPv4/v6, TCP, UDP, DHCP, PPPoE, HTTP, HTTPS, DNS, DDNS, NTP, RTP, RTSP, RTCP, SMTP, FTP, IGMP, ICMP, ARP, Bonjour, UPnP, QoS, SNMP, IEEE 802.1X
Ethernet Port	1, Ethernet (10/100Base-T), RJ-45 connector
Security	IP address filtering; HTTPS encryption; Password protected user level; Anonymous login; IEEE 802.1X network access control

• Alarm

Alarm Trigger	Video motion detection (10 regions), External device through digital input, Sound detection, Intelligent event detection, Notify control center, Go to PTZ preset point or preset tour, Change camera settings, Command other devices, E-mail notification with snapshots, Play the audio file, Push notification to mobile device, Save video to local storage, Upload video to NVR server, Upload video or snapshot to FTP server, Activate external device through digital output
Alarm Response	

• Interface

Digital Input	4, Terminal block
Digital Output	2, Terminal block
Local Storage	MicroSDHC, MicroSDXC memory card slot (card not included)

• General

Power Source / Power consumption	High PoE (IEEE802.3at) / 50W; AC 24V / 62W (heater, fan and IR on)
Weight	3135 g (6.91 lb)
Dimensions (Φ x H)	170 mm x 260 mm (6.69" x 10.23")
Environmental Casing	Weatherproof (IP66), Vandal proof metal casing (IK10), Built-in dehumidifier, Scratch-resistant and water-repellent lens glass
Mount Type	Gang Box, Pendant, Converter for NPT Standard Mounts, Wall Mount, Pole Mount, Corner Mount
Starting Temperature	-40°C ~ 55°C (-40°F ~ 131°F) within 30 minutes
Operating Temperature	-40°C ~ 55°C (-40°F ~ 131°F)
Operating Humidity	10% ~ 85% RH, Built-in dehumidifier
Bundled Accessories	High PoE injector (for USA) or Power Adapter (for other countries)
Approvals	CE (EN 55022 Class B, EN 55024), FCC (Part15 Subpart B Class B), IP66, IK10 (metal casing), NEMA 4X, UL (for bundled PoE injector or power adapter), UL Listed (UL 60950-1)

• Integration

Unified Solution	Fully compatible with ACTi software
ISV Integration	Software Development Kit (SDK) available; ONVIF Compliant; GB28181 Compliant
GPS Position	Manual setting
Firmware Access Browser	IE 11
Auto Firmware Upgrade	Yes

* All specifications are subject to change without notice.

* All brand names and registered trademarks are the property of their respective owners.

www.acti.com

