

5 Megapixel Compact Cube Network Camera

CB-500A Series

HDTV 1080p/720p • WiFi/3G/4G Wireless Connection • PoE



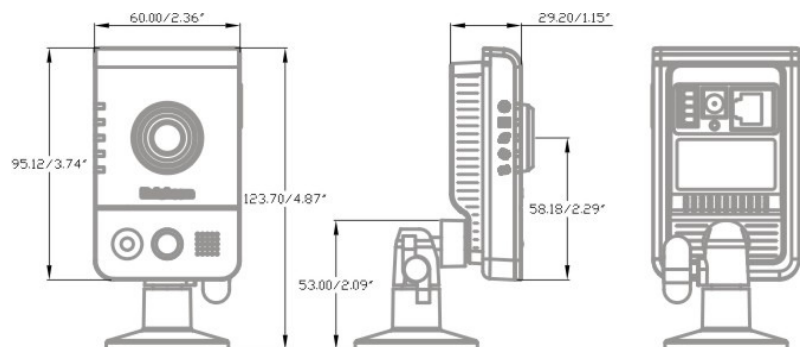
- Most Intelligent, Compact and Affordable 5M Camera
- HDTV Quality (Full HD 1080p @ 30fps Streaming)
- Unique Design for Low Lux Application (1/2.5" Sensor)
- Intelligent Multi-Profile Sensor Management for Different Environment
- Support 802.11a/b/g/n Dual Band Wireless Connectivity
- WPS Supported for Easy Wireless Network Setup
- Support 3G/ 4G (WiMAX/LTE) Wireless Connectivity
- Interchangeable CS Mount Lens
- Edge Recording/ Micro SD slot
- PoE/ Two-way Audio/ PIR/ Illumination LED/ DIDO/ Privacy button



Photo Indication & Dimension Diagram



- 1 Adjustable focal Lens
- 2 Built-in Microphone
- 3 PIR
- 4 Illumination LED
- 5 Speaker
- 6 Power Connector
- 7 Ethernet RJ45 Socket
- 8 Reset Button
- 9 DIDO Terminal I/O Connector
- 10 Micro SD/SDHC slot
- 11 WPS button
- 12 Privacy button
- 13 Power LED
- 14 Status LED
- 15 Internet LED
- 16 WPS LED
- 17 Privacy LED
- 18 USB Port for 3G/4G



CB-500A Series

Camera		Audio	
Hardware System	CPU: 533 MHz Flash: 32M RAM: 256M DDR	Audio Streaming	2-way Audio Support
Image Sensor	Sensor Type : 1/2.5" CMOS 5 Megapixel Sensor Sensor Resolution : 2592 x 1944 pixel Minimum illumination : 0.8 Lux @ F2.8 0.8 Lux @ F1.5	Audio Compression	G.711, AMR (8 kHz, Mono, PCM)
Lens	CB-500Ap/ WCB-500Ap Lens Type: Board Lens Focal Length: f= 6.34 mm Iris: F2.8 View Angle: (H): 48.5° (V): 37.1° (D): 58.5° CB-502Ap/ WCB-502Ap Lens Type: CS Mount Lens Focal Length: f= 4.2 mm Iris: F1.5 View Angle: (H): 65.4° (V): 49.9° (D): 80.4°	Audio Input/ Output	Built-in MIC & Speaker
General			
Communication	Ethernet : one 10/100Mbps RJ-45 Supported Protocols : TCP/IP, UDP, ICMP, DHCP, NTP, DNS, DDNS, SMTP, FTP, HTTP, Samba, PPPoE, UPnP, RTP, RTSP, RTCP, IPv6		
Power Input	DC12V/ 1A(Power Supply)		
Max. Power Consumption	CB-500Ap/502Ap: 4.2 watts WCB-500Ap/502Ap: 4.6 watts		
Environment	Operating Temperature 0°C ~ 50°C (32°F ~122°F), Operating Humidity : 10% ~ 80%		
Dimension	34.8 (L) X60 (W) X 95 (H) mm		
Weight	CB-500Ap: 99g WCB-500Ap: 106g CB-502Ap: 122g WCB-502Ap: 129g		
Certification	FCC, CE		
Warranty	Limited 2-year warranty		

Video	
Video Image Compression	H.264 / MPEG4 / MJPEG
Video Setting	Audio Exposure Control: Sport/ Normal/ Night Vision/ User Defined Auto Gain Control: 1X~32X Shuttle Speed: 1/20000~1/5 s
Image Resolution	5M : 2592x1944 @ 11fps (5M supports MJPEG only) 4M : 2032x1936 @ 14fps 3M : 2032x1536 @ 18fps 2M (Full HD) : 1920x1080 @ 30fps 1M (HDTV) : 1280x800 @ 30fps

CB-500A Series	CB-500Ap	WCB-500Ap	CB-502Ap	WCB-502Ap
Interchangeable CS-Mount Lens			✓	✓
Wireless (11a/b/g/n dual band WiFi)		✓		✓
Wired (802.3af PoE)	✓		✓	
USB port for 3G/ 4G(WiMAX/LTE)	✓		✓	
DIDO I/O Port	✓	✓	✓	✓

Work Best With

Camera Accessories Options



T3Z2914CS-IR
3x Vari-focal Lens with Manual Iris



CI-803A/CI-803C
Camera Bracket



GL-222
Camera Bracket

Network Equipment Options



DWRT-600N
Dual Band Wireless Router



PS-588I
8-port 10/100M PoE Fast Ethernet Switch



BP-1000
UPS power pack (Edge Recording)