

GV-BX320D-0 / 320D-1 3MP H.264 D/N Box IP Camera



- 3 megapixel progressive scan CMOS
- Dual streams from H.264 and MJPEG
- Up to 20 fps at 2048 x 1536, 30 fps at 1920 x 1080
- Built-in / external microphone
- 2-way audio
- One sensor input and alarm output
- TV-out support
- Memory card slot
- Wide Dynamic Range (WDR)
- Motion detection
- Tampering alarm
- Privacy mask
- IP address filtering
- DC 12V / PoE
- Removable IR-cut filter for Day/Night function
- Varifocal megapixel lens
- Supports iPhone, iPad, Android & 3GPP
- 31 languages on Web interface
- ONVIF conformant

* No Memory card slot & local storage function for Argentina.

Models

Models	Iris	Focal Length (mm)	Maximum Aperture	Image Format
GV-BX320D-0	DC Drive	3.1 ~ 8 mm	F/1.2	1/3"
GV-BX320D-1		2.8 ~ 6 mm	F/1.3	

Active Tampering Alarm

Tampered



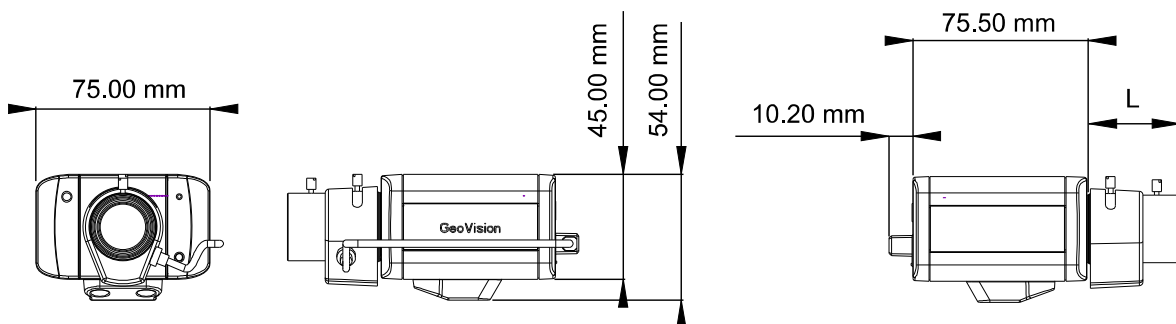
Focus Change



Camera Shift



Dimensions



Specifications

		GV-BX320D-0	GV-BX230D-1
Camera			
Image Sensor		1/2.5" progressive scan CMOS	
Picture Elements		2048 (H) x 1536 (V)	
Minimum Illumination	Color	1 Lux (1/30 sec), 0.5 Lux (1/5 sec)	
	B/W	0.2 Lux (1/30 sec), 0.1 Lux (1/5 sec)	
	IR ON	0 Lux	
Shutter Speed		Automatic, Manual (1/5 ~ 1/8000 sec)	
White Balance		Automatic, Manual (2800K ~ 8500K)	
Gain Control		Automatic	
S/N Ratio		45 dB	
BLC		Yes	
Lens			
Megapixel		Yes	
Day/Night		Yes (with removable IR-cut filter)	
Lens Type		Varifocal	
Focal Length		3.1 ~ 8 mm	2.8 ~ 6 mm
Maximum Aperture		F / 1.2	F / 1.3
Mount		CS Mount	
Image Format		1/3"	
Operation	Focus	Manual (w / lock)	
	Zoom	Manual (w / lock)	
	Iris	DC drive	
Max. Torque (Focus/ Zoom Screws)		0.049 N.m	
Operation			
Video Compression		H.264, MJPEG	
Video Stream		Dual streams from H.264 and MJPEG	
Frame Rate		20 fps at 2048 x 1536, 30 fps at 1920 x 1080 * The frame rate and the performance may vary depending on the number of connections and data bitrates (different scenes).	
Image Setting		Brightness, Contrast, Sharpness, Gamma, White Balance, Flicker-less, Image Orientation, Shutter Speed, D/N Sensitivity, Backlight Compensation, WDR, Defog	
Audio Compression		G.711, AAC (16 kHz / 16 bit) * AAC is only supported by GV-System V8.5 or later	
Two-way Audio		Yes	
Sensor Input		1 Input (Dry Contact)	
Alarm Output		1 Digital Output (200mA 5V DC)	
Video Resolution			
Main Stream	4:3	2048 x 1536, 1600 x 1200, 1280 x 960, 640 x 480, 320 x 240	
	16:9	1920 x 1080, 1280 x 720, 640 x 360, 448 x 252	
	5:4	1280 x 1024, 640 x 512, 320 x 256	
Sub Stream	4:3	640 x 480, 320 x 240	
	16:9	640 x 360, 448 x 252	
	5:4	640 x 512, 320 x 256	
Network			
Interface		10/100 Ethernet	
Ethernet Protocol		HTTP, HTTPS, TCP, UDP, SMTP, FTP, DHCP, NTP, UPnP, DynDNS, 3GPP/ISMA, RTSP, PSIA, SNMP, QoS (DSCP), ONVIF	
Mechanical			
Connectors	Power	2-pin terminal block, PoE	
	Ethernet	RJ-45	
	Audio	1 In (Using the built-in microphone or externally connecting a microphone) 1 Out (Stereo phone jack, 3.5 mm / 0.14 in)	
	Digital I/O	3-pin terminal block, pitch 2.5 mm / 0.1 in	
	Auto Iris	DC drive	
	Local Storage	Micro SD/SDHC/SDXC memory card slot (for Class 6 card or above)	
	TV-Out	BNC connector (640 x 480 resolution)	
LED Indicator		2 LEDs: Power, Status	

General	
Environment Temperature	0 °C ~ 50 °C / 32 °F ~ 122 °F
Humidity	10% to 90% (no condensation)
Power Source	12V DC / PoE
Max. Power Consumption	7 W
Regulatory	CE, FCC, C-Tick, RoHS compliant
Dimension (L X W X H)	76 x 74.9 x 54.3 mm / 2.99 x 2.95 x 2.14 in (without lens)
Weight	321 g / 0.71 lb
Power over Ethernet	
PoE Standard	IEEE 802.3af Power over Ethernet / PSE
PoE Power Supply Type	End-Span
PoE Power Output	Per Port 48V DC, 350mA. Max. 15.4 watts
Web Interface	
Installation Management	Web-based configuration
Maintenance	Firmware upgrade through Web Browser
Access from Web Browser	Camera live view, video recording, change video quality, bandwidth control, image snapshot, digital I/O control, audio, Picture in Picture, Picture and Picture, Privacy Mask, Visual Automation, Tampering Alarm, Text Overlay
Language	Arabic / Bulgarian / Czech / Danish / Dutch / English / Finnish / French / German / Greek / Hebrew / Hungarian / Indonesian / Italian / Japanese / Lithuanian / Norwegian / Persian / Polish / Portuguese / Romanian / Russian / Serbian / Simplified Chinese / Slovakian / Slovenian / Spanish / Swedish / Thai / Traditional Chinese / Turkish
Applications	
Network Storage	GV-NVR, GV-System, GV-Backup Center, GV-Recording Server
Smart Device Access	GV-Eye for Android smartphone, tablet, iPhone, and iPod Touch GV-Eye HD for iPad
Live Viewing	IE, mobile phone
CMS Server support	GV-Control Center, GV-Center V2, GV-VSM

Note: Specifications are subject to change without notice.

Accessories

Name	Details
GV-IR LED T2 	Weight: 140 g / 0.31 lbs Dimensions (H x W x D): 49 x 47 x 67 mm / 1.93 x 1.85 x 2.64 in
GV-PA191 PoE Adapter 	Weight: 130 g / 0.29 lb Dimensions (H x W x D): 43 x 69 x 40 mm / 1.69 x 2.72 x 1.57 in
GV-Relay V2 	The GV-Relay V2 is designed to expand the voltage load of GV IP devices. It provides 4 relay outputs, and each can be set as normally open (NO) or normally closed (NC) independently as per your requirement.