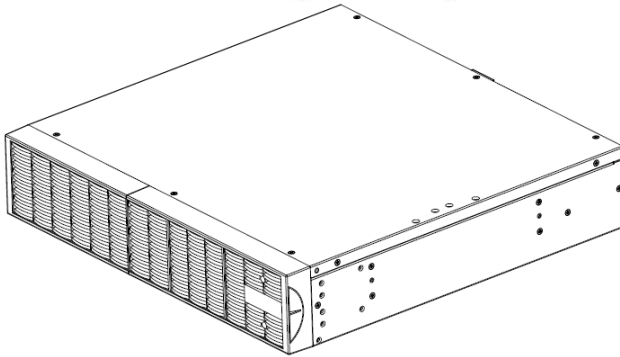


CyberPower®

Reliability. Quality. Value.



BPSE36V45A (72V45A)RT2U

User's Manual

K01- C000049-02

IMPORTANT SAFETY INSTRUCTIONS

This manual contains important instructions. Please read and follow all instructions carefully during installation and operation of the unit. Read this manual thoroughly before attempting to unpack, install, or operate the Battery modules.

CAUTION! The UPS unit must be connected to a grounded AC power outlet with fuse or circuit breaker protection. The Battery modules grounded are through the UPS.

CAUTION! The battery can power hazardous components inside the unit, even when the AC input power is disconnected.

CAUTION! To prevent the risk of fire or electric shock, install in a temperature and humidity controlled indoor area, free of conductive contaminants. (Please see specifications for acceptable temperature and humidity range).

CAUTION! (No User Serviceable Parts): Risk of electric shock, do not remove cover. No user serviceable parts inside. Refer servicing to qualified service personnel.

CAUTION! (Non-Isolated Battery Supply): Risk of electric shock, battery circuit is not isolated from AC power source; hazardous voltage may exist between battery terminals and ground. Test before touching.

CAUTION! Wiring must be done by qualified personnel.

CAUTION! DO NOT USE WITH OR NEAR AQUARIUMS! To reduce the risk of fire, do not use with or near aquariums. Condensation from the aquarium can come in contact with metal electrical contacts and cause the machine to short out.

CAUTION! Do not dispose of batteries in fire as the battery may explode.

CAUTION! Do not open or mutilate the battery, released electrolyte is harmful to the skin and eyes.

CAUTION! A battery can present a risk of electric shock and high short circuit current. The following precaution should be observed when working on batteries.

1. Remove watches, rings or other metal objects.
2. Use tools with insulated handles.

CAUTION! Make sure everything is turned off and disconnected completely before conducting any maintenance, repairs or shipment.

CAUTION! Connect the Protection Earth (PE) safety conductor before any other cables are connected.

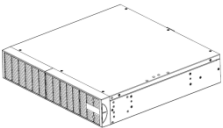


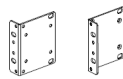
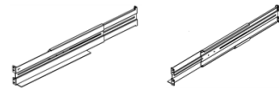



DO NOT INSTALL THE UNIT WHERE IT WOULD BE EXPOSED TO DIRECT SUNLIGHT OR NEAR A STRONG HEAT SOURCE!

SERVICING OF BATTERIES SHOULD BE PERFORMED OR SUPERVISED BY PERSONNEL KNOWLEDGE OF BATTERIES AND THE REQUIRED PRECAUTIONS. KEEP UNAUTHORIZED PERSONNEL AWAY FROM BATTERIES!

UNPACKING

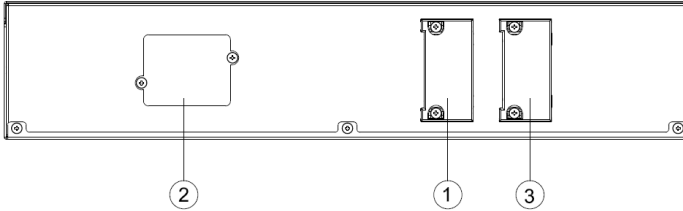
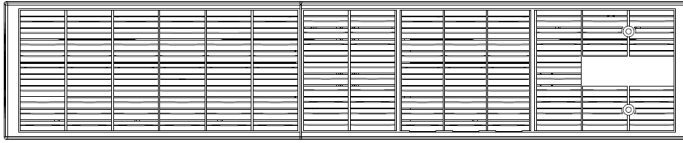
UNPACKING

The box should contain the following items:

	Batteries Module
	User's manual
	Battery Cable
	rackmount ears (2 PCS)
	Rackmount rails (L & R)
	Flat head screws: M4X8L (8) Pan head screws: M5X12L (12)
	Plastic washers (8)
	Screw hole dust covers (8)

BASIC OPERATION

FRONT/REAR PANEL DESCRIPTION



BPSE36V45ART2U, BPSE72V45ART2U

1. Input Connector

Use this input connector to daisy chain the next Battery module. Remove the connector cover for access.

2. On-board Replaceable Fuse Cover

Replaceable fuse is accessible from the rear panel. It must be done by qualified personnel.

3. Battery Output Connector

Use this output Connector to connect the Battery module to the Power module or to the next Battery module.

HARDWARE INSTALLATION

These batteries modules can be mounted in a rackmount or vertical tower orientation. This versatility is especially important to growing organizations with changing needs that value having the option to position a batteries module on a floor or in a rackmount system. Please follow the instructions below for the respective mounting methods.

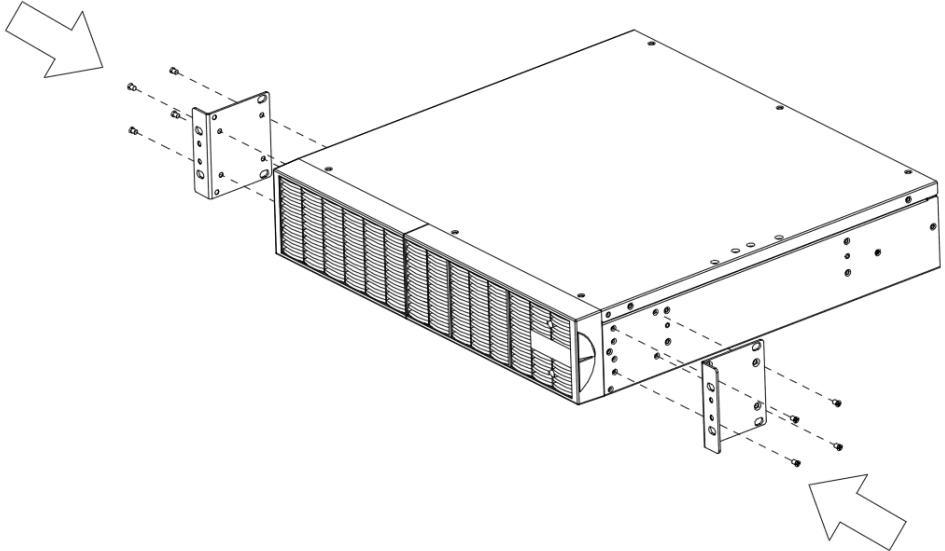
SAFETY PRECAUTIONS

CAUTION! To prevent the risk of fire or electric shock, only use the supplied hardware to attach the mounting brackets.

RACKMOUNT INSTALLATION

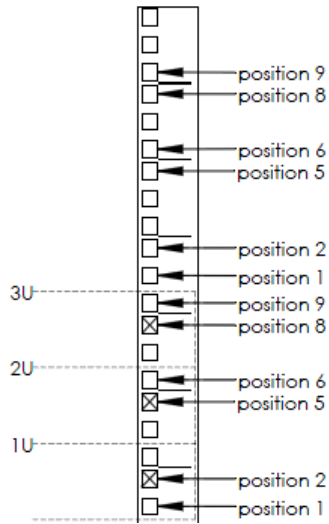
Step 1: Rackmount ears installation

- 1) Attach the two rackmount ears to the batteries module using the provided screws M4X8L*8pcs.

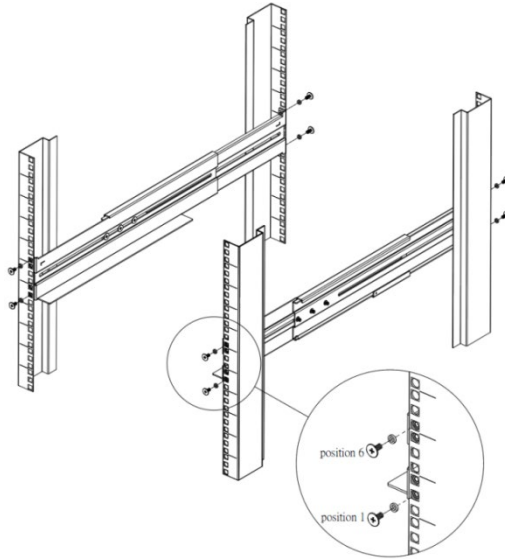


Step 2: Rackmount rail Installation

- 1) The rails adjust to mount in 48-cm (19-inch) panel racks from 52 to 91.5cm (20.5 to 36 inches) deep. Select the proper holes in the rack for positioning the batteries module in the rack. It takes up position 1 through position 6.

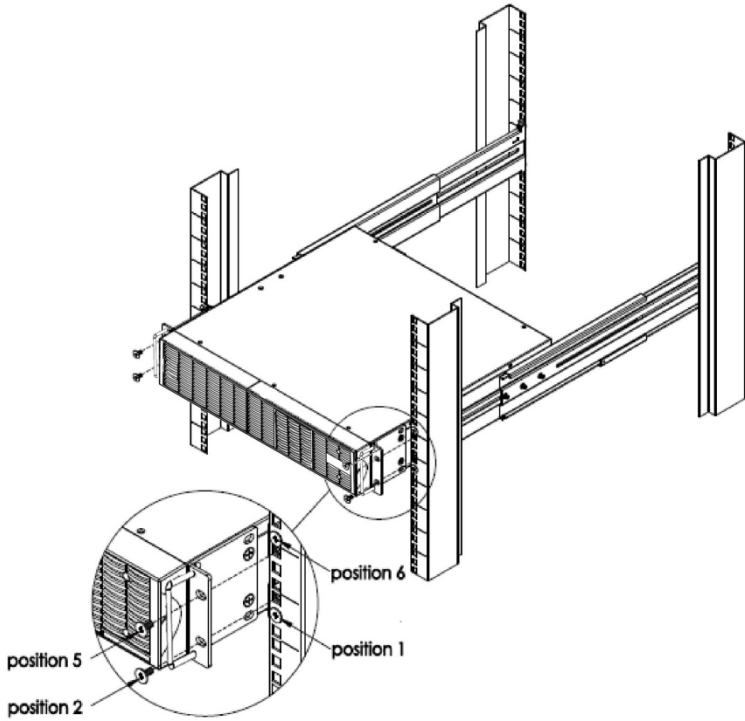


- 2) Attach the rackmount rail to your rack with two M5X12L screws and two plastic washers at the front of the rack. (Located in position 1 & position 6) Do not tighten the screws. Adjust the rail size on the rail assembly of your rack. Secure the rail to the rear of the rack with two M5X12L screws and two plastic washers. Tighten all screws at the front and rear of the rail. Once completed, perform the same steps for assembling the other rackmount rail.



Step 3: Install the batteries module on the rack

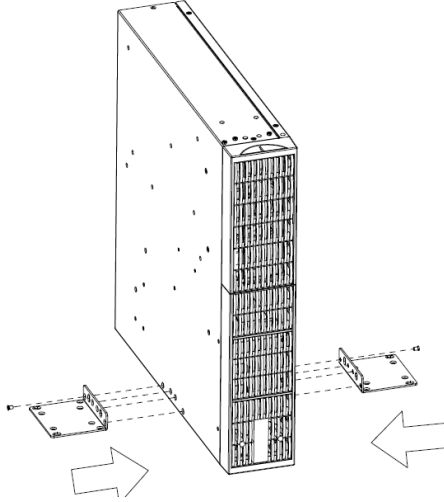
Place the batteries module on a flat stable surface with the front of the unit facing toward you. Secure the batteries module to your rack with four M5X12L screws at the front of the rack. (Located in position 2 & position 5)



VERTICAL/TOWER INSTALLATION

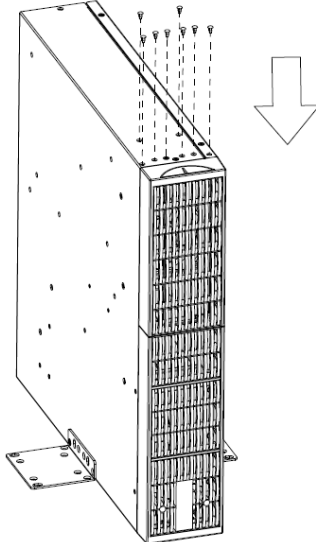
Step 1: Attach the base stands

Tighten the screws (M5X12*8pcs) of the base stands (rackmount ears) onto the bottom of the batteries module.



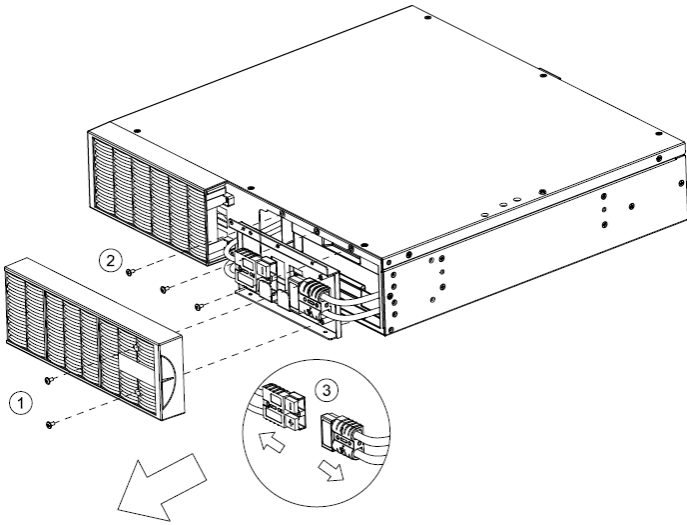
Step 2: Attach dust covers

Insert dust cover into the rackmount ear screw holes that are not being used.

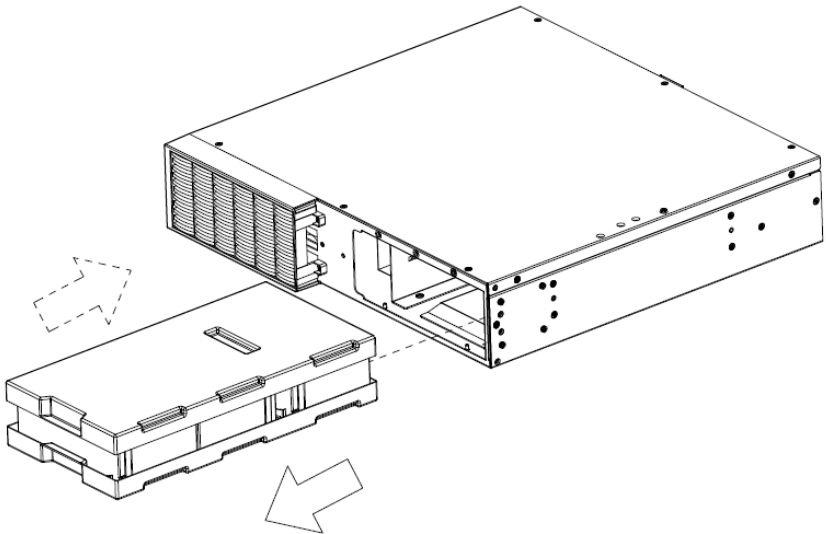


Battery Installation and replacement

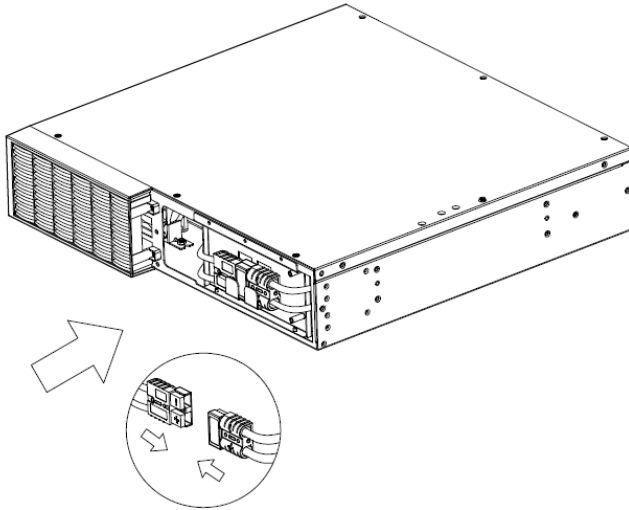
Step 1: Remove the front panel. Remove the retaining screws from the battery bracket and then remove the cover itself. undraw the connectors.



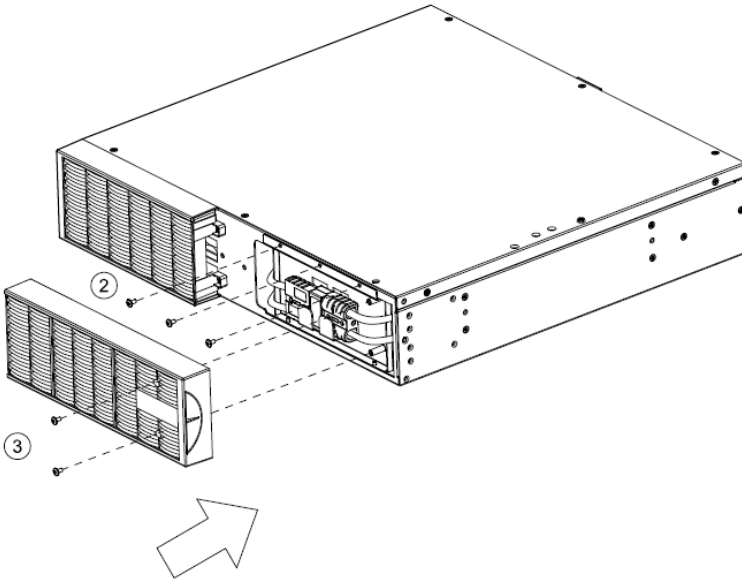
Step 2: Pull the battery tray out slowly. Put the new battery tray back into the compartment after that.



Step 3: Fasten the battery bracket and then insert the connectors. Place the connectors in the bracket.



Step 4: Tighten the screws of the battery bracket and front panel .



Step 5: Repeat from step1 to step4 to replace the other side batteries pack.

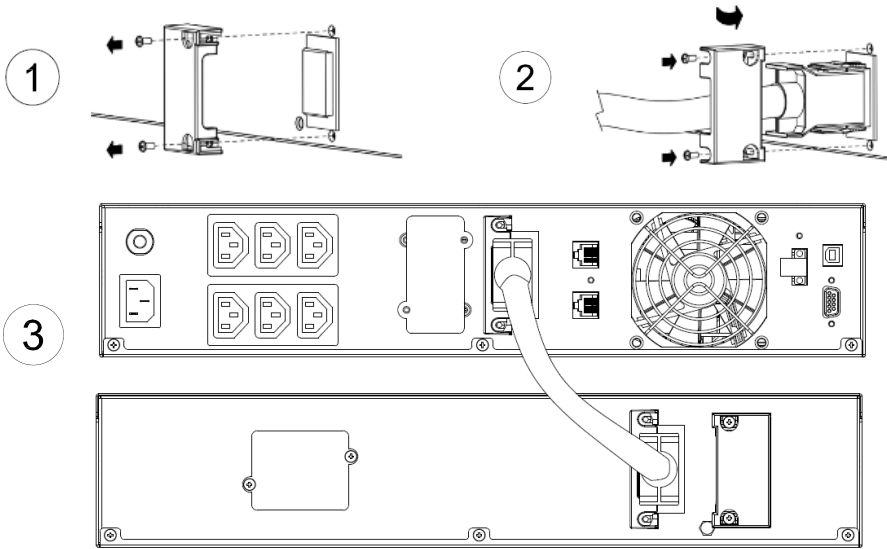
CONNECTION : POWER MODULE(UPS) WITH BATTERY MODULE

CONNECTION 1 : POWER MODULE(UPS) WITH ONE BATTERIES MODULE

Step 1: Loosen the two screws to remove the battery cable retention bracket of the Power module and Batteries module.

Step 2: Use the battery cable to connect the Batteries module to the Power module.

Step 3: Rotate the battery cable retention bracket and tighten the two screws to fix battery cable on the Power module and Batteries module.



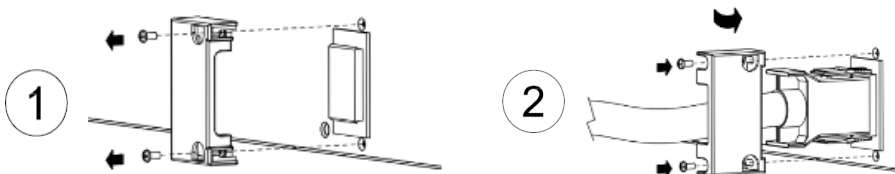
CONNECTION 2 : POWER MODULE(UPS) WITH MULTIPLE BATTERY MODULES

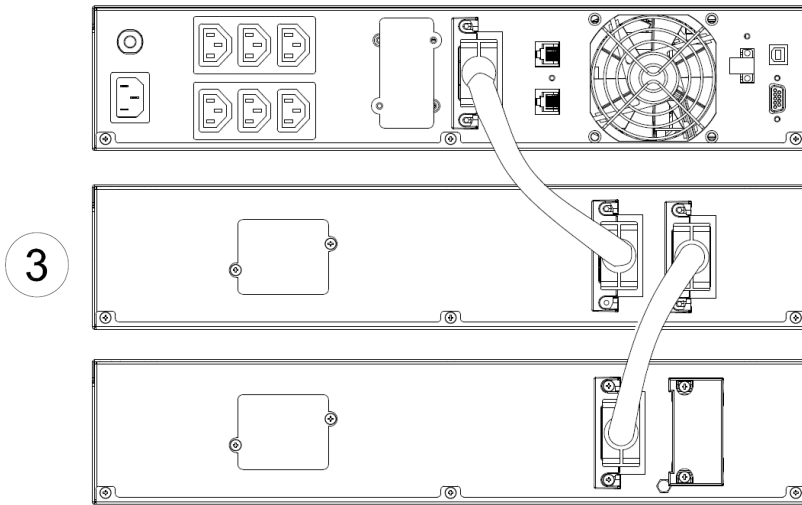
Step 1: Connect the 1st Batteries module to the Power module using battery cable. (Refer to above steps of connection #1)

Step 2: Loosen the two screws to remove the battery cable retention bracket of the 1st batteries module and 2nd Battery module.

Step 3: Use the battery cable to connect the 2nd Batteries module to the 1st Batteries module.

Step 4: Rotate the battery cable retention bracket and tighten the two screws to fix battery cable on 1st batteries module and 2nd Batteries module.





TECHNICAL SPECIFICATIONS

Model	BPSE36V45ART2U	BPSE72V45ART2U
Battery		
Sealed Maintenance Free Lead Acid Battery	12V / 7Ah x3pcs x2sets	12V / 7Ah x6pcs x2sets
Rated Battery Voltage	36Vdc	72Vdc
Overload Protection	Fuse	
Physical		
Dimensions (H x W x D)	3.46 x 17.24x16.93 in. 88×438×430 mm	3.46 x 17.24x24.02in. 88×438×610 mm
Weight (kg)	24.2	34.7
Environment		
Operating Temperature	0°C to 40°C	
Relative Humidity	0 to 90% (Non-condensing)	

For more information, visit www.cyberpower.com
 All rights reserved. Reproduction without permission is prohibited.

