

# Light-duty PoE housing user's Manual

T2.00227LLF  
User's Manual  
V1.0.0

## Welcome

Thank you for purchasing our housing!  
**Please read the following safeguards and warnings carefully before you install or use the product!**

## Important Safeguards and Warnings

### 1. Electrical safety

All installation and operation here should conform to your local electrical safety codes.

We assume no liability or responsibility for all the fires or electrical shock caused by improper handling or installation.

### 2. Transportation security

Heavy stress, violent vibration or water splash are not allowed during transportation, storage and installation.

### 3. Installation

Do not apply power to the housing before completing installation.

Do not place objects on the housing.

### 4. Qualified engineers needed

All the examination and repair work should be done by the qualified service engineers.

We are not liable for any problems caused by unauthorized modifications or attempted repair.

### 5. Environment

The housing should be installed in a cool, dry place away from direct sunlight, inflammable, explosive substances and etc.

Please keep sound ventilation.

### 6. Accessories

Be sure to use all the accessories recommended by manufacturer.

Before installation, please open the package and check all the components are included.

Contact your local retailer ASAP if something is broken in your package.

## 1 Product Overview

### 1.1 Features

- IP66/IP67 compliance
- Integrated design, concealed cable outlet
- Support wall mount, surface installation and pendant
- Built-in PoE+module, max power 25W
- IR light module optional.
- Support heating, heat dissipation
- Able to adopt various cameras, block camera.

### 1.2 Dimensions

PFH610V/A-IR-POE、PFH610V/A-H-POE See Figure 1-1.

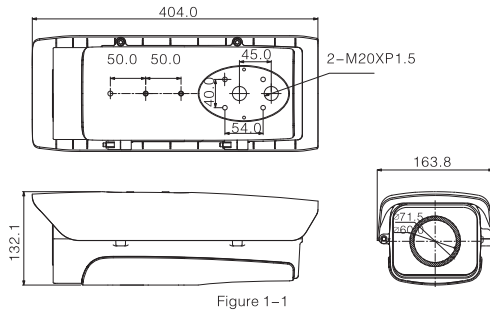


Figure 1-1

PFH610N-IR-W-POE See Figure 1-2.

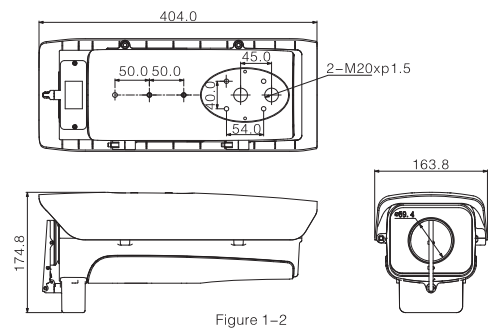


Figure 1-2

### 1.3 Application Scenario

Coordinate with front-end products, adaptive temperature -40°C~60°C; It can be applied to the environment where the humidity is less than 90%.

## 2 Housing Installation

### 2.1 PoE Module Assembly Guide

#### Step 1

Use two 1/4-20×8UNC pan head screw to fix the camera on the fixing board, which is shown in Figure 2-1

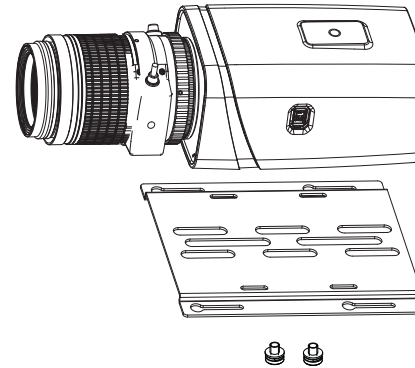


Figure 2-1

#### Step 2

Install the camera module which has been installed in step 1 on the housing, which is shown in Figure 2-2.

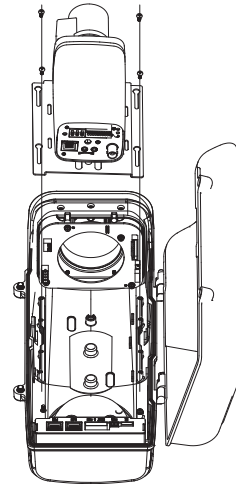


Figure 2-2

### 2.2 Cable Connection

The function of each cable connection terminal of user module is shown in Figure 2-3.

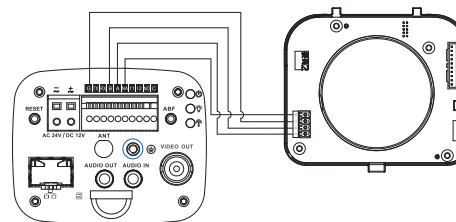


Figure 2-3

Port	Port description
IR/G	The port is the feedback signal terminal of IR light when the camera is not equipped with control IR light function.
A/B	The port is used to control IR light and wiper when the camera is equipped with control IR light function.
DC 12V	DC 12V power output port.

The cable of fan module and IR module has been well connected when the device is delivered out of factory, users only need to connect the cable of network port, camera PoE port and camera to the IR driver board. Please refer to Figure 2-4 for cable connection and refer to Figure 2-5 for PoE module port.

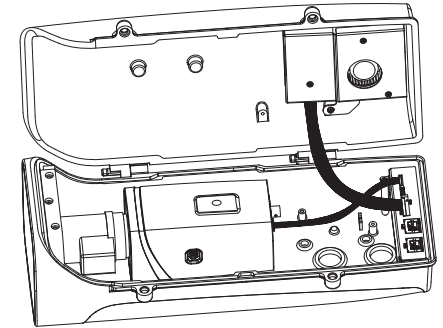


Figure 2-4

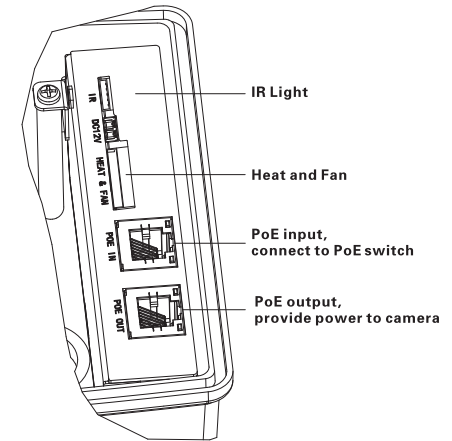


Figure 2-5

## 2.3 Operating Control Description

### Note

The camera with RS485 control function means that both "External Light Setting" and "Wiper Setting" are available in the menu of "Peripheral" on the WEB interface.

IR light board is equipped with DIP switch; all 6 IR lights are enabled by default. It can move the DIP switch to 1 or 2 when the camera is not equipped with RS485 control function, disable corresponding IR lights (It can disable max 4 IR lights), which is to satisfy the light compensation of near distance. The DIP switch is shown in Figure 2-6.

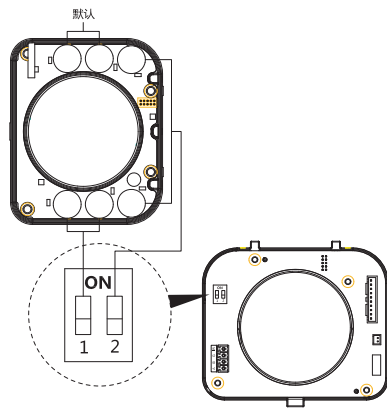


Figure 2-6

### 3 Bracket Installation

#### 3.1 Install General Bracket

The housing can be installed by the bracket with general threaded hole. The general bracket threaded hole on the housing is M6, which is shown in Figure 3-1.

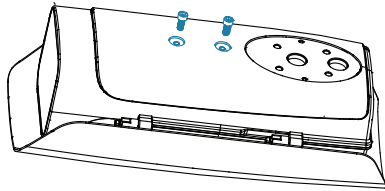


Figure 3-1

#### 3.2 Install Exclusive Bracket (Integrated design, concealed cable outlet)

##### Step 1

Pull out the wire harness through inside of the bracket. See Figure 3-2.

##### Step 2

Lock the bracket firmly on the housing. See Figure 3-3.

##### Step 3

Put the waterproof connector on the wire harness and then tighten it firmly. See Figure 3-4.

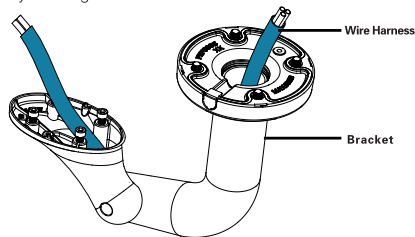


Figure 3-2

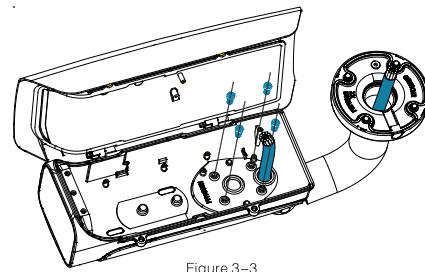


Figure 3-3

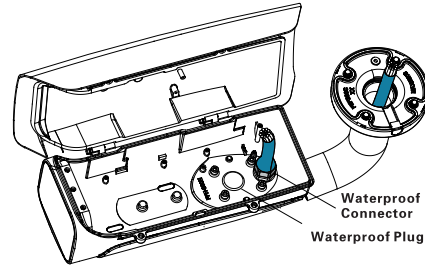


Figure 3-4

#### 3.3 Bracket Type

##### Note

The bracket is not a standard accessory of the housing. Please purchase it separately if necessary.

You can refer to Table 3-1 for different bracket models if you want to use different installation modes.

Installation Mode	Reference Figure	Bracket Model
Pendant		PFB600W
Wall Mount		PFB604W
Surface Mount 1		PFA160
Surface mount 2		PFA162
Pedestal Mount 1		PFB601W
Pedestal Mount 2		PFB601W+ PFA112 (200 mm) or PFA113 (400mm)

## 4 Appendix I Technical Specifications

Parameter/Model	PFH610V-IR-POE	PFH610V-H-POE	PFH610A-IR-POE	PFH610A-H-POE	PFH610N-IR-W-POE
Material	The shell is aluminum, the decorating part is PC				
Dimension (L x W x H)	404mm x 164 mm x 132 mm				404 mm x 164 mm x 175 mm
Window Size	Φ 60mm				
Internal Size (L x W x H)	255mm x 90mm x 70.5mm or 215mm x 90mm x 83mm				
Waterproof Level	IP67			IP66	
Vandal proof Level	Ik 10			N/A	
Anti-corrosion	N/A		YES		N/A
IR Distance	0-100m	N/A	0-100m	N/A	0-100m
Wiper	N/A				
Open Mode	Lateral				
Working Environment	Adaptive temperature -40°C ~ 60°C Apply to the environment where humidity is less than 90%.				
Weight	3.2kg	3.0kg	3.2kg	3.0kg	3.4kg
Installation Mode	Wall mount, pendant and surface installation				
Power	POE+				
Power Consumption	25W				
Work Flow	<p>When enabled:</p> <ul style="list-style-type: none"> <li>• T(internal temp of the housing) &lt; -29°C --- Enable camera after heater (12W) and fan work for 30 minutes</li> <li>• -28°C ≤ T &lt; 5°C --- Heater (16W) and fan work, meanwhile camera is enabled</li> <li>• 5°C ≤ T &lt; 20°C --- Enable camera, disable the fan and the heater</li> <li>• T ≥ 20°C --- Enable camera and fan</li> </ul> <p>During operation ( PoE provides continuous power to camera at any temperature as long as the power is not cut off ) :</p> <ul style="list-style-type: none"> <li>• T ≤ 5°C --- Enable heater (6W) and fan, when temperature increases to 15 (± 1)°C, it is to disable the heater.</li> <li>• T ≥ 37°C --- Enable fan, when temperature decreases to 20 (± 1) °C, it is to disable the fan.</li> <li>• 15°C ≤ T ≤ 20°C --- Disable fan and heater.</li> <li>• 20°C &lt; T &lt; 37°C --- Keep recent state unchanged.</li> <li>• 5°C &lt; T &lt; 15°C --- Keep recent state unchanged.</li> </ul>				

##### Note

- This manual is for reference only. Slight difference may be found in the user interface.
- All the designs and software here are subject to change without prior written notice.
- All trademarks and registered trademarks mentioned are the properties of their respective owners.
- If there is any uncertainty or controversy, please refer to the final explanation of us.
- Please visit our website or contact your local service engineer for more information.