

# DH-SD65F233XA-HNR

## 2MP 33x Starlight + PTZ AI Network Camera



- 1/1.8" 2Megapixel CMOS
- Powerful 33x optical zoom
- Starlight technology
- Max. 50/60fps@1080P
- Deep-learning-based auto tracking and perimeter protection
- Support POE+
- SMD Plus
- IP67, IK10



AI series products adopt the most advanced AI technologies, including deep learning algorithms that primarily target people and vehicles, which provides higher flexibility and accuracy for end-users. This enables the Dahua AI series to offer various advanced applications such as Face Recognition, ANPR, Metadata, People Counting, traffic data statistics, etc. The complete lineup of Dahua AI includes network (PTZ) cameras, network video recorders, servers, and more devices. Beyond seeing the world, the power of AI allows devices to perceive the environment and understand the world in a better way.

### System Overview

Featuring powerful optical zoom and accurate pan/tilt/zoom performance, this camera provides an all-in-one solution for capturing long distance video surveillance for outdoor applications. Together with Starlight Technology, the camera is the perfect solution for dark, lowlight applications. The series combines a day/night mechanical IR cut filter for the highest image quality in variable lighting conditions during the day, and True WDR for applications with direct sunlight or glare.

### Functions

#### Starlight Technology

For challenging low-light applications, Dahua's Starlight Ultra-low Light Technology offers best-in-class light sensitivity, capturing color details in low light down to 0.001 lux. The camera uses a set of optical features to balance light throughout the scene, resulting in clear images in dark environments.

#### Wide Dynamic Range

The camera achieves vivid images, even in the most intense contrast lighting conditions, using industry-leading wide dynamic range (WDR) technology. For applications with both bright and low lighting conditions that change quickly, True WDR (120 dB) optimizes both the bright and dark areas of a scene at the same time to provide usable video.

#### Perimeter Protection

Automatically filtering out false alarms caused by animals, rustling leaves, bright lights, etc. Enables system to act secondary recognition for the targets. Improving alarm accuracy.

#### Environmental

Dahua cameras operate in extreme temperature environments, rated for use in temperatures from -40 °C to +70 °C (-40 °F to +158 °F) with 95% humidity. The camera complies with the IK10 Vandal Resistance impact rating. Subjected to rigorous dust and water immersion tests and certified to the IP67 Ingress Protection rating makes it suitable for demanding outdoor applications.

#### Protection

The camera allows for  $\pm 25\%$  input voltage tolerance, suitable for the most unstable conditions for outdoor applications. Its 8KV lightning rating provides effective protection for both the camera and its structure against lightning.

#### Interoperability

The camera conforms to the ONVIF (Open Network Video Interface Forum) specifications, ensuring interoperability between network video products regardless of manufacturer.

#### SMD Plus

With Deep-Learning Algorithm, Dahua SMD Plus filters the motion detection alarm triggered by non-concerned target and recognizes human and vehicle effectively, sending alarms when human and vehicle intrude.

### Technical Specification

#### Camera

Image Sensor	1/1.8" CMOS
Max. Resolution	1920 (H) x 1080 (V)
Effective Pixels	2MP
ROM	4GB
RAM	1GB
Electronic Shutter Speed	1–1/30000 s
Scanning System	Progressive
Min. Illumination	Color: 0.001Lux@F1.5 B/W: 0.0001Lux@F1.5
IR Distance	NA
IR On/Off Control	NA
IR LEDs Number	NA

#### Lens

Focal Length	5.8 mm–191.4 mm			
Max. Aperture	F1.5–F4.8			
Field of View	H: 60.1°–3.2°; V: 35.3°–1.8°; D: 67.9°–3.7°			
Optical Zoom	33x			
Focus Control	Auto/Semi-Auto/Manual			
Close Focus Distance	0.1 m–1 m (0.33 ft–3.28 ft)			
Iris Control	Auto/Manual			
DORI Distance	Detect	Observe	Recognize	Identify
	1655 m (5429.80 ft)	622 m (2040.68 ft)	331 m (1085.96 ft)	165 m (541.34 ft)

#### PTZ

Pan/Tilt Range	Pan: 0°–360° Tilt: -20°–+90°
Manual Control Speed	Pan: 0.1°/s–300°/s Tilt: 0.1°/s–150°/s
Preset Speed	Pan: 600°/s Tilt: 500°/s
Presets	300
Tour	8 (up to 32 presets per tour)
Pattern Number	5
Scanning Number	5
Speed Adjustment	Support
Power-off Memory	Support
Idle Motion	Preset/Tour/Pattern/Scanning
Protocol	DH-SD Pelco-P/D (auto recognition)

#### Artificial Intelligence

Video Metadata	Support human, motor vehicle and non-motor vehicle image capture.
----------------	---

Perimeter Protection	Tripwire and intrusion. Support alarm triggering by target types (human and vehicle). Support filtering false alarms caused by animals, rustling leaves, bright lights, etc.
SMD Plus	Support
Auto Tracking	Support
Face Detection	Support

#### General Intelligence

Event Trigger	Motion detection, video tampering, scene changing, network disconnection, IP address conflict, illegal access, and storage anomaly.
General IVS	Object Abandoned/Missing

#### Video

Compression	H.265/H.265+/H.264+/H.264/MJPEG (sub stream)
Streaming Capability	3 streams
Resolution	1080P (1920 × 1080); 1.3M (1280 × 960); 720P (1280 × 720); D1 (704 × 576/704×480); CIF (352 × 288/352 × 240)
Frame Rate	Main stream: 1080P/1.3M/720P (1–50/60fps) Sub stream 1: D1/CIF (1–25/30fps) Sub stream 2: 1080P/1.3M/720P/D1/CIF (1–25/30fps)
Bit Rate Control	Variable Bit Rate/Constant Bit Rate
Bit Rate	H.265/H.264: 3 kbps–20480 kbps
Day/Night	Auto (ICR)/Color/B/W
BLC	Support
WDR	120 dB
HLC	Support
White Balance	Auto/Indoor/Outdoor/Tracking/Manual/Sodium lamp/ Natural light/Street lamp
Gain Control	Auto/Manual
Noise Reduction	2D/3D
Motion Detection	Support
Region of Interest	Support
Electronic Image Stabilization	Support
Defog	Support
Digital Zoom	16x
Flip	0°/180°
Privacy Masking	Up to 24 areas

#### Audio

Compression	G.711A; G.711Mu; G.726; AAC; G.722.1; G.723; G.729; PCM; MPEG2-Layer2
-------------	---

#### Certification

Certifications	CE: EN55032/EN55024/EN50130-4 FCC: Part15 subpartB, ANSI C63.4-2014
----------------	--

#### Port

Audio In	1 (LINE IN; bare wire)
----------	------------------------

Audio Out	1 (LINE OUT; bare wire)
Alarm Port	7/2

**Network**

Ethernet	RJ-45 (10/100Base-T)
Protocol	IPv4; IPv6; HTTP; HTTPS; 802.1x; Qos; FTP; SMTP; UPnP; SNMPv1/v2c/v3(MIB-2); DNS; DDNS; NTP; RTSP; RTP; TCP; UDP; IGMP; ICMP; DHCP; PPPoE; ARP; RTCP
Interoperability	ONVIF Profile S&G; CGI
Streaming Method	Unicast/Multicast
User/Host	20 (Total bandwidth 48M)
Edge Storage	FTP; Micro SD card (256G); P2P
Browser	IE7 and newer versions Chrome 42 and older versions Firefox 52 and older versions Safari
Management Software	Smart Player; Smart PSS; DSS; Easy4ip
Smart Phone	IOS/Android

**Power**

Power Supply	AC24V/3A±25% PoE+ (802.3at)
Power Consumption	20W 34W (heater on)

**Environment**

Operating Temperature	-40°C to +70°C (-40°F to +158°F)
Operating Humidity	≤95%RH
Ingress Protection	IP67; IK10; TVS 8000V lightning proof; surge protection

**Structure**

Casing	Metal
Dimensions	Φ242 mm x 341 mm (9.53" x 13.43")
Net Weight	4.5 kg (9.92 lb)
Gross Weight	9.75 kg (21.50 lb)

Accessories	PFB303W	Wall Mount
	PFA111	Mount Adapter
	AC24V/3A	Power Adapter
	PFA140	Power Box
	PFB300C	Ceiling Mount
	PFA120	Junction Box
	PFA150	Pole Mount
	PFA151	Corner Mount
	PFB303S	Parapet Mount

**Accessories**

**Included:**



PFB303W  
Wall Mount



PFA111  
Mount Adapter



AC24V/3A  
Power Adapter

**Optional:**



PFA140  
Power Box



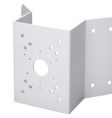
PFB300C  
Ceiling Mount



PFA120  
Junction Box



PFA150  
Pole Mount



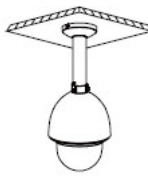

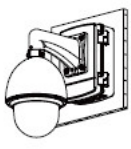


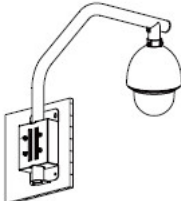
PFA151  
Corner Mount



PFB303S  
Parapet Mount

**Ordering Information**

Type	Model	Description
2MP PTZ Camera	DH-SD65F233XA-HNR	2MP 33x Starlight+ PTZ AI Network Camera, WDR, PAL
	DH-SD65F233XAN-HNR	2MP 33x Starlight+ PTZ AI Network Camera, WDR, NTSC
	SD65F233XA-HNR	2MP 33x Starlight+ PTZ AI Network Camera, WDR, PAL
	SD65F233XAN-HNR	2MP 33x Starlight+ PTZ AI Network Camera, WDR, NTSC

<b>Ceiling Mount</b>	<b>Junction Mount</b>
PFA111 + PFB300C	PFA111 + PFB303W + PFA120
	
<b>Power Box Mount</b>	<b>Pole Mount</b>
PFA111 + PFB303W + PFA140	PFA111 + PFB303W + PFA150
	
<b>Corner Mount</b>	<b>Parapet Mount</b>
PFA111 + PFB303W + PFA151	PFA111+ PFB303S
	

**Dimensions (mm[inch])**

