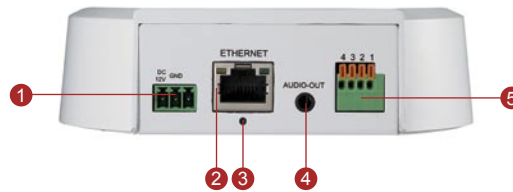




ACM-8201/ACM-8211

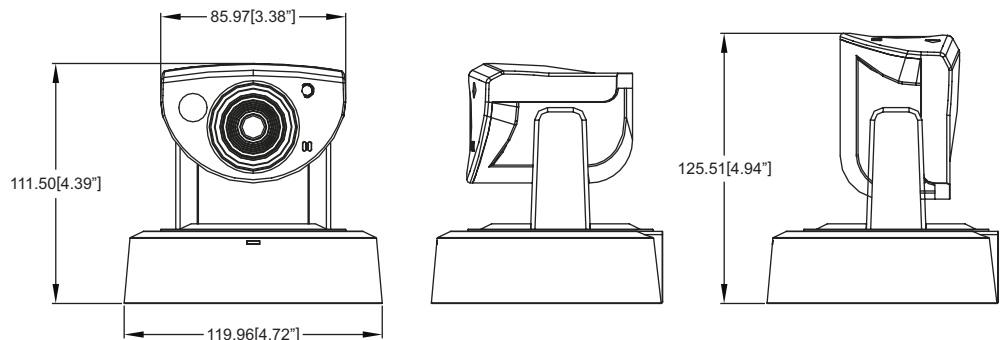


- 1/3" Micron Progressive Scan CMOS
- Day and night function with Mechanical IR Cut Filter (ACM-8211)
- Integrated f4.2 mm / F1.8 Megapixel lens
- 0.5 Lux at F1.0 (ACM-8201) / 0 Lux (IR LED ON) (ACM-8211)
- Selectable MPEG-4 SP / MJPEG compression
- Up to SXGA resolution at 8 FPS
- Multi-stream with variable frame rate in the same compression
- Shutter Speed, White Balance, Exposure, Gain Controls supported
- Unlimited digital zoom supported
- Two-way audio supported
- Hardware motion detection, Digital Input / Output
- DC 12V or Power over Ethernet (IEEE 802.3af) supported
- Surface / Pendant / Wall / Corner / Pole / Flush mount supported (ACM-8201)
- Surface / Pendant / Wall / Corner / Pole mount supported (ACM-8211)

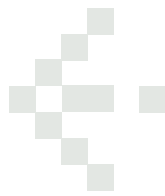


- | | |
|-----------------|--------------------------|
| ① Power Input | ④ Audio Output |
| ② Ethernet Port | ⑤ Digital Input / Output |
| ③ Reset Button | |

DIMENSION DIAGRAM



Unit: mm [inch]



ACM-8201/ACM-8211

PRODUCT SPECIFICATION

		ACM-8201	ACM-8211
Image	Device	Micron Progressive Scan CMOS	
	Size	1/3 inch	
	Effective Pixels	1280(H) x 1024(V)	
Min. Scene Illumination	Color	0.5 Lux at F1.0 (2400 °K, 30IRE)	Color mode automatically switched to B/W mode under 4 Lux 0 Lux (IR LED ON)
	B/W	N/A	Yes
	CDS Sensor	N/A	from 700 nm to 1100 nm
	IR Sensitivity	N/A	IR LED x3 (850 nm)
	IR LED	N/A	5 ~ 10 M (30 IRE)
Lens	IR Working Distance	N/A	
	Focal Length	f4.2 mm / F1.8	
Synchronization	Viewing Angle	83.6° (Horizontal)	
	Sync. System	Internal	
Day/Night Functions	Mechanical IR Cut Filter	N/A	Yes
Functions	Motion Detection	Yes (3 Windows)	
	Electronic Shutter	1/5 ~ 1/15,000 sec.	
	Fixed Shutter (Manual)	1/30 ~ 1/1,000 sec. (60Hz); 1/25 ~ 1,1,000 sec. (50Hz)	
	Flickerless	1/120 sec. (60 Hz); 1/100 sec. (50 Hz)	
	AGC	Automatic (User defined)	
	White Balance	AUTO, INDOOR1, INDOOR2, OUTDOOR1, OUTDOOR2, HOLD CURRENT, MANUAL	
	Number of Preset	32 points	
	Preset Tour	10 group	
S/N Ratio	Auto Scan	Yes	
	S/N Ratio	Better than 44 dB	
PAN/TILT	Manual Speed	Pan	20° ~ 120° / sec.
		Tilt	15° ~ 70° / sec.
	Travel Range	Pan	350° (0° ~ 350°)
Video Compression		Tilt	120° (-30° ~ 90°)
	Compression	MPEG-4 SP, MJPEG selectable	
	Picture Resolution	SXGA (1280x1024); HD720 (1280x720); VGA (640x480); QVGA (320x240); QQVGA (160x112)	
	Bit Rate	28 K ~ 3 M bps	
Audio Input	Image Frame Rate	8 fps at SXGA; 10 fps at HD720; 30 fps at VGA; 30 fps at QVGA; 30 fps at QQVGA	
	Compression	8 kHz, Mono, PCM	
Audio Output	Built-in Microphone	Sensitivity: -36±3 dB(0 dB=1V/Pa); S/N Ratio: more than 58 dB; Directivity: Omni-directional	
	Compression	8 kHz, Mono, PCM	
Alarm	Audio Line Output	Unbalanced, 1.4Vp-p, 1Vrms, 3.5 mm Phone Jack	
	Digital Input	1, TTL, terminal block	
External I/O	Digital Output	1, TTL, terminal block	
	Reset Button	Factory default	
Casing	LED	System status	
	Mount Types	Surface / Pendant* / Wall* / Corner* / Pole* / Flush*	Surface / Pendant* / Wall* / Corner* / Pole*
Network	Ethernet Port	Ethernet(10/100Base-T), RJ-45 connector	
	Protocol	TCP, UDP, HTTP, HTTPS, DHCP, PPPoE, RTP, RTSP, DNS, DDNS, NTP, ICMP, ARP, IGMP, SMTP, FTP, UPnP	
Software	Web Browser	Microsoft Internet Explorer 6.0 or above	
	SDK	ACTi SDK-10000	
Operating	Security	Password protection: configured by the administrator	
	Temperature	0 °C ~ 45 °C (32 °F ~ 112 °F)	
Power	Power Requirement	PoE (IEEE802.3af) with Class 3	
	Power Consumption	3.8 W (DC 12V) 4.8 W (PoE)	
Physical	Dimensions (ØxH)	119.96 mm x 125.51 mm (4.72" x 4.96")	
	Weight	450 g (0.99 lb)	
Approvals	Certificate	CE, FCC	

ACCESSORY OPTIONS

Mount Kit

- Mount Kit
- L Type Wall Mount Kit
- Flush Mount Kit - Transparent Cover (For ACM-8201)
- Flush Mount Kit - Smoke Cover (For ACM-8201)

- PMAX-0101
- PMAX-0308
- PMAX-1001
- PMAX-1002

Mounting Configuration*

- Pendant Mount
- Wall Mount
- Corner Mount
- Pole Mount
- Flush Mount

*Sold separately. Please refer to detailed mounting configuration table in the accessory section or Project Planner on ACTi.com